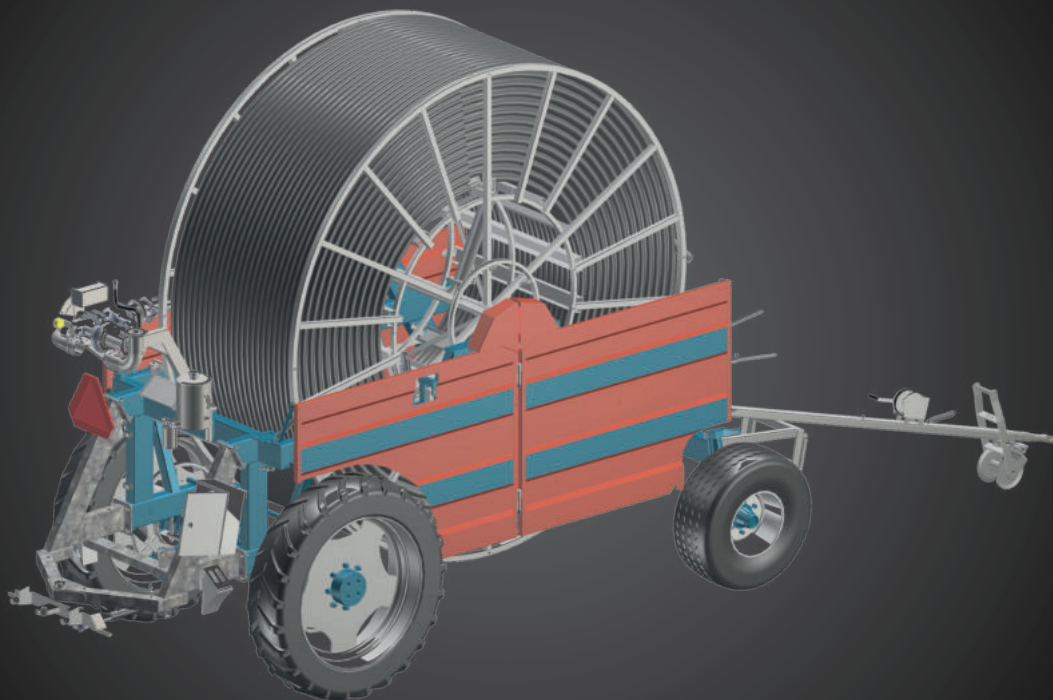


**User Manual &
Spare Parts Catalogue**

(EN) 10-11-2021



Irrigator FM4400



Fasterholt Maskinfabrik A/S
Ejstrupvej 22
7330 Brande
Denmark

Telephone: +45 97 18 80 66
Telefax: +45 97 18 80 40
E-mail: mail@fasterholt.dk
Web: www.fasterholt.dk

Declaration of Conformity	3
General safety	4
Operating instructions for Fasterholt FM 4550	4
Product labelling	5
Symbols	5
Operating instructions	7
Starting your irrigator	7
Preparing the machine for irrigation	7
Preparing the machine after irrigation	8
Maintenance	8
Preparation for winter	8
Faults on the Irrigator	9
Setting the gun	9
Technical data	10
Nelson SR 150	11
Spare parts	34
Front axle and drawbar	34
Front axle	36
Guards	40
Turbine for drum	44
Parts on frames	46
Drum	50
Stop bar	52
Hydraulics	54
Flat gear	56
Rear drawbar	58
Parts on rear drawbar	60
Turbine installation	62
Turbine	64
Rear axle assembly	72
Rear axle assembly parts	76
Sensor	78
Gun	80
Optional equipment	85

EEC Declaration of conformity

Manufacture (name and address):

Fasterholt Maskinfabrik A/S

Adresse: Ejstrupvej 22,
Fasterholt
Ort: 7330 Brande
Country: Denmark
Web: www.fasterholt.dk

CVR: 58 83 28 12
TEL: +45 97 18 80 66
FAX: +45 97 18 80 40
E-Mail: mail@fasterholt.dk

Hereby is certified that the following product:

Description, ID/mark, type: Irrigator FM 4400

Serial No. if any: _____

Notified body if any: _____

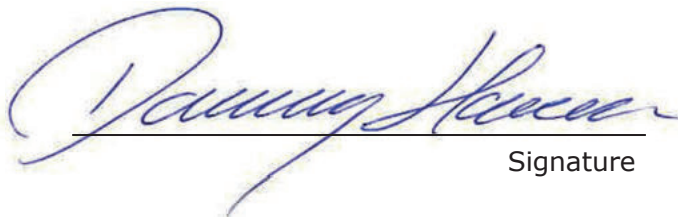
EEC-type certificate if any: _____

Harmonised standards if any: EN 908:1999+A1:2009.
DS/EN/ISO 12100:2011.
DS/EN/ISO 14120:2015.

Is made according to the announcement no.693 of 10. Jun 2013 that implements the DIRECTIV 2006/42/EC.

Name, title and signature of manufacture:

Date



Signature

!!! Important !!!

READ THIS MANUAL BEFORE USING YOUR IRRIGATOR !!

Operating instructions for Fasterholt FM 4550

Your new Fasterholt Irrigator is a Danish built machine, but even the best machines only deliver top results when they are properly used and maintained.

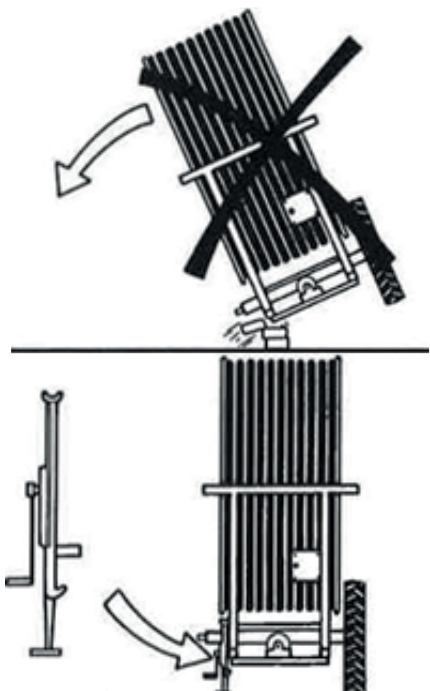
To ensure that the machine complies with the EU Machinery Directive, only original spare parts may be used. Otherwise, compliance will be lost and safety will be entirely at your own risk.

The irrigator is intended for irrigation with clean water from a drilled well or a watercourse.

1. Safety instructions/warnings !!

- It is forbidden to stand on the machine during irrigation and transport (**risk of fatal injury**).
- The guards are fitted for your own safety - please leave them in place
- Remember to tighten the wheel bolts
- When starting the machine on falling ground, you must be **VERY** careful not to disconnect the tractor from the machine until the machine has been put into gear, otherwise the machine may run away.
- If a rear wheel is removed, **THE MACHINE MUST BE JACKED UP AND VERY STABLE**, because if it overturns, it will fall completely on its side.

WARNING !!



- To perform an EMERGENCY STOP, pull the cable for the mi-swinding bar or press STOP on the COMPUTER
- V-belts may only be fitted after the machine has been unwound for the first time. (only the first time the machine is used for irrigation.)
- The gun must face out to the side when unwinding the machine.
- **STAND ASIDE** when the gun is operating.
- **WARNING** against contact with overhead power lines with the machine or water jet. Avoid irrigation on or near power lines.
- During transport on uneven roads/fields, move **VERY** carefully according to the conditions.
- Max. transport speed with water in the hose is 15 km/h.
- When parking the machine, use the wheel chocks mounted by the rear wheels
- **DANGER !!** Avoid welding in the paint layer! Before welding, remove all paint from the welding area
- Avoid inhalation of grinding dust.
- Hydraulic oil can be harmful to health:
- Skin contact may cause allergies
- Inhalation of oil mist may cause lung disease
- Leakage of oil under high pressure is dangerous, an oil jet can enter the skin, eyes, etc.
- If a hydraulic system leak is found, stop the system immediately and rectify the fault.
- Note that due to operation, the oil may be 70 degrees Celsius or even hotter. This can lead to a risk of scalding during separation.
- **IMPORTANT** Maximum battery charging power is 2 amps. Charging more than 2 amps may cause the battery to crack. The battery must be charged at a temperature between 0 °C and +40 °C. NEVER place the battery in a sealed container while charging. During winter, the battery must be removed and stored in a dry place indoors in a fully charged state.
- Avoid sparks and flames on and around the battery.
- Do not short circuit the battery.
- Never disassemble the battery.
- If you come into contact with the battery's sulphuric acid, wash immediately with water. If acid comes into contact with eyes, rinse thoroughly with water and seek medical attention immediately.
- Pay attention to the battery compartment. If there are cracks, deformities, electrolyte leakage, etc., replace the battery immediately.
- If the battery is dirty, clean it as soon as possible.
- Disposal of oil spills:
- If oil spills are found, they should be cleaned up immediately with rags or oil absorbent powder.
- Spilled products, as well as rags and powder used for oil spills, must be stored in sealed metal containers and delivered to the municipal collection site.
- Batteries, hoses, tyres and other parts of the irrigation machine must be disposed of at an approved recycling site.

If the machine is to be moved via a public road, the machine must first be emptied of water.

Symbols

The following symbols are used in this product and the following documentation.



WARNING Indicates a potentially hazardous situation. Failure to avoid the situation may result in death or serious injury.



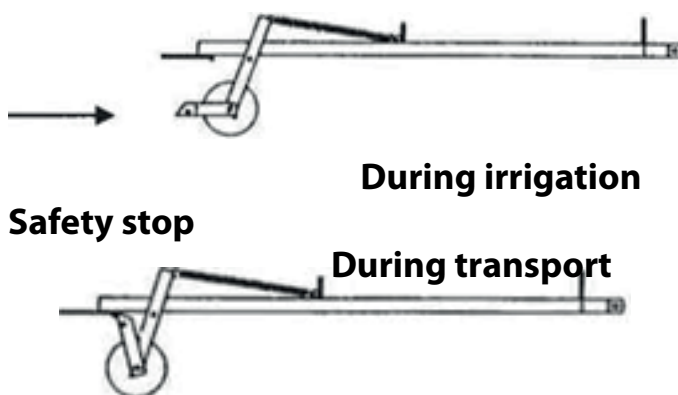
LUBRICATION Indicates lubrication is required as per the service description



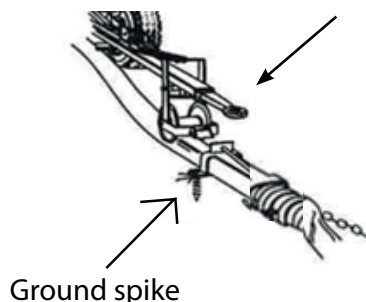
SERVICE WARNING Indicates a service hazard

Starting your irrigator

Move the machine to the field in the transport position. When the machine is at the crop to be irrigated, disconnect the tractor from the front drawbar. Connect the tractor to the rear drawbar. **Recommendation: Remove the drum belt from the belt tensioner before unwinding. When the machine is at the target, reattach the belt to the belt tensioner before disconnecting the machine.** Insert the electric brake connector in the female connector for the tractor lights. The machine then winds up in the crop and stops. **Disengage the pawl. REMEMBER !! When starting the machine on falling ground, you must be VERY careful not to disconnect the tractor from the machine until the irrigator has been put into gear, otherwise the machine may run away. Attach the charge hose to the hydrant, if necessary turn on the hydrant.**



Secure the hose chains with the long ground spikes. Lower the drawbar over the hose and release the safety stop so the hose reel runs on the hose.



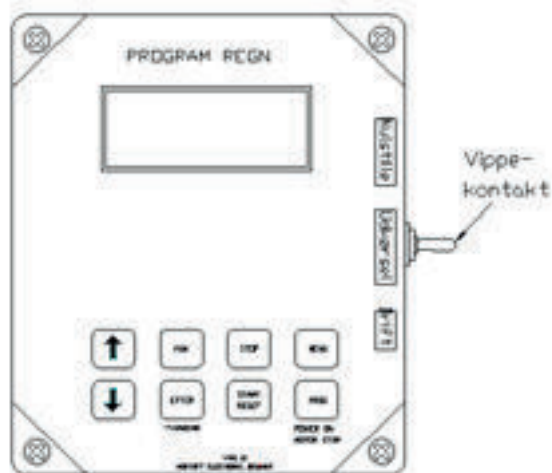
Unwind the machine with the brake applied sufficiently to keep the hose tight on the drum at all times with the electric brake.

If you do not lay the hose straight out, be **very careful** to ensure that the hose is always tightened on the hose drum.

The machine should be unwound completely at least every 3rd time.

Before starting to unwind the machine, reset the COMPUTER. To do this, press the TOGGLE SWITCH located on the side of the electric box upwards (reset).

When unwinding the machine, the TOGGLE SWITCH must be in the centre



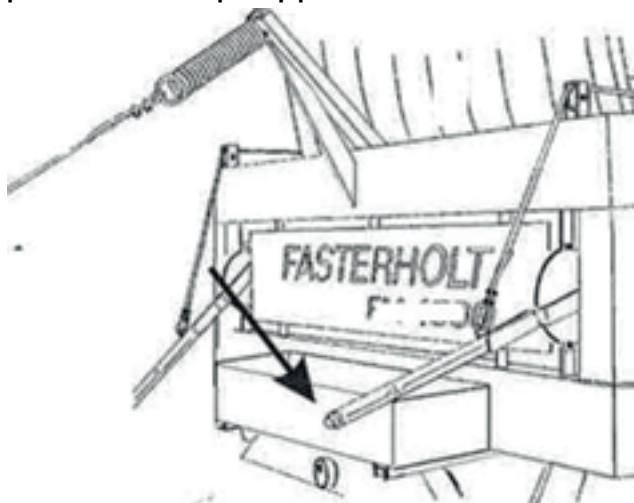
(unwind) so it cannot reset on the way out. After unwinding, press the TOGGLE SWITCH down (operation).

Winding speed: Recommended max. 5 km/h

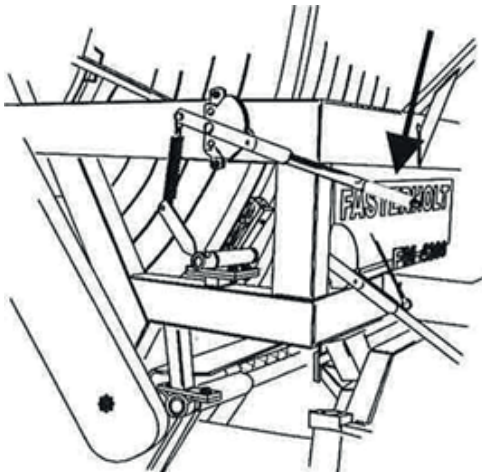
Preparing the machine for irrigation

ALWAYS REMEMBER that the TOGGLE SWITCH must be pressed down during operation, otherwise the machine will not move. Engage the pawl.

Tighten the V-belt (belt tension lever) so the spring is fully compressed around the spacer pipe.



Release the brake lever completely. Remember also to release the electric brake (Remember that the electric brake connector must be removed from the tractor).



Preparing the machine after irrigation

After irrigation, tighten the brake and loosen the V-belt. Then open the bypass valve (lever "1" must be pushed in) to get the gearbox out of gear (lever "2" pulled out). If there is tension in the rear axle assembly, use a fork wrench to turn the input shaft to release the coupling.

ALWAYS REMEMBER THAT THE COUPLING MUST BE RELEASED (COUPLING LEVER PULLED BACK) WHEN THE MACHINE IS NOT MOVING BY ITSELF.

Maintenance

1x per week:

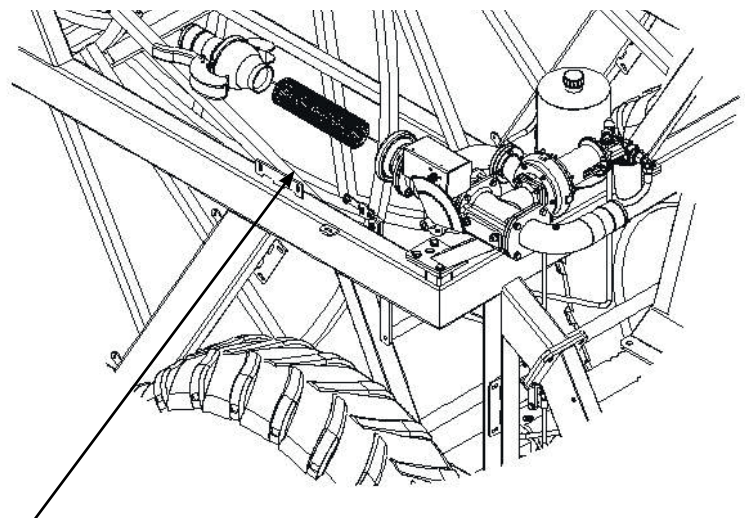
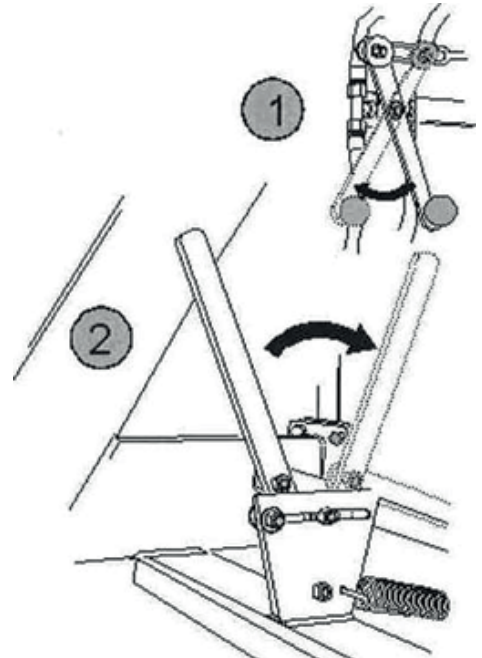
Check that no water is entering the oil on the rear axle assembly.

Lubricate the steering, roller chain for hose guides, roller chain for forward traction, cross track shaft for hose guide with water-repellent grease.

Check tyre pressure:

Rear wheels 2.9 bar/ 42.06 psi
Front wheels 2.9 bar/ 42.06 psi

Check that front and rear drawbars line up. If not, turn the lever on the side of the machine by the front control cylinder. This is how to adjust the drawbars so they line up. Turn the lever back again.



Before connecting the tractor to the rear of the machine, disengage the gear and raise the drawbar at the front before starting the machine.

Clean the filter at the turbine outlet if required. Check that the hose is positioned neatly.

Remember to close the decoupling valve (**lever "1" must be pulled out.**)

Remember to check the guide pins in the hose guides regularly.

REMEMBER to connect machines with coupling levers (**lever "2" pushed in.**)

Remember to tighten the wheel bolts regularly.

Attach the charge hose to the hydrant. Then open the hydrant, start the pump and irrigation can begin. The speed you want to move at is set in Program Rain. You do not have to select a gear as this is stepless speed regulation controlled by Program Rain. On some other models, gears are selected according to the machine instructions.

NOTE:

The battery should be charged once a month during the season to maintain full power and extend its useful life.

When starting irrigation, see the section that refers to the operating instructions for PROGRAM RAIN.

Preparation for winter

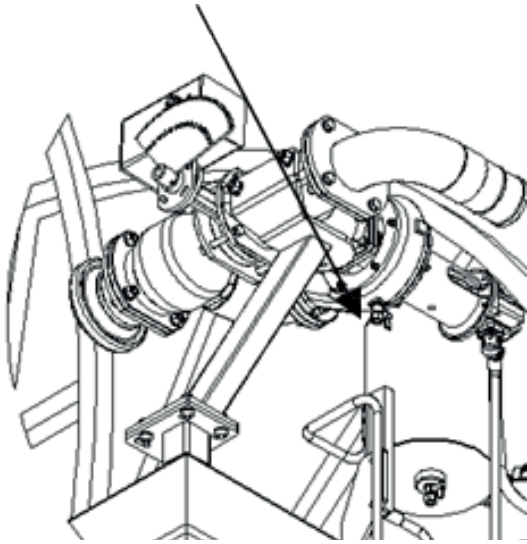
Drain water from the machine:

The machine is easily emptied with air (only done with special compressors).

Contact Fasterholt Maskinfabrik A/S if necessary.

REMEMBER !! Before unwinding the hose:

Open the filter coupling.
Open the valve in the base of the turbine.



On machines with high pressure stops, press START to open the main valve and allow the water to flow out freely. (Disconnect battery lead so stop valve does not close again.)

Remove the battery and do not install it until the next time you use the machine.

Lubrication of:

Front wheel hubs, front spindle, hose guides, bearings on hose guides, wheels.

Check for water in the oil in the rear axle assembly and hydraulic tank. Oil in the rear axle assembly/gears should be changed every 1,000 hours. Hydraulic oil and filter should also be replaced every two years.

Lubricate the steering, roller chain for hose guides, roller chain for forward traction, cross track shaft for hose guide with water-repellent grease.
Check tyre pressure.
(see page 9)

Guide pins should be replaced every year.

Faults on the Irrigator

Check the following before calling a technician:

1. If the machine is irrigating, but not moving.

- a. Check that machine is in gear.
- b. Check if it is performing pre-irrigation or post-irrigation. (can be seen on the display under menu 3.)
- c. Check if pressure drop valve is closed.
- d. Check that end stop sensor is in place. (can be seen on the display under menu 3.)
- e. Check that toggle switch is in operation position.
- f. Check that decoupling valve is closed (for hydraulic motor).
- g. Check that filter at turbine outlet is not blocked.
- h. Check that turbine can turn easily.

2. If the machine does not wind up the hose properly, it may be that:

- a. The hose guide needs to be adjusted:
To adjust the guide, remove the chain from the hose guide to the cross track shaft. Then turn the cross track shaft until the hose guide fits the hose again.
- b. The guide pin is worn and needs to be replaced.
- c. The V-belts are too slack or excessively worn: To tighten the belt, move the hole plate at the end of the cable. If it cannot be moved any further, the cable needs to be shortened.

3. Forced steering is not lined up and seems springy.

- a. There is a leak at the coupling or assemblies, so the oil has drained out, leaving air in the system.
- b. The system must be vented (call a technician).

Setting the gun

The operating pressure of the gun should be 4.5 - 5.0 bar depending on the type of gun and the water volume. For high water volumes, the pressure should be higher.

The best spreading width is achieved at a sector angle of approx. 200 degrees. This means that the gun operates over an angle of 200 degrees.

Technical data

8. Data for FM 4400

Hose PEMD 100 mm:
Capacity up to 55 m³ - hose length from 200 to 550 m.

Hose PEMD 110 mm:
Capacity up to 75 m³ - hose length from 200 to 450 m.

Wheel size:

Rear wheels: 12.4"x36" x 10 ply - air pressure 34.8 psi / 2.4 bar

Front wheels: 11.5"/80x15.3" x 10 ply - air pressure 34.8 psi / 2.4 bar

Speed at 35 m³ and above:

15-30 metres per hour

Weight of FM 4400

Weight with water with 550 m/100 mm hose: 6948 kg.

Weight without water with 550 m/100 mm hose: 3813 kg.

Track width (Standard): 1600 mm.

Gun: Nelson SR 150

Oil in rear axle assembly.....: 16 litres 80/90 gear oil
Track width 1600 mm.

Oil in flat gear....: 1.5 litres 80/90 gear oil

Hydraulic oil.....: 10 litres STATOIL Hvxa 46

Grease for lubrication: FUCHS Greaseway CAH 92 or equivalent.

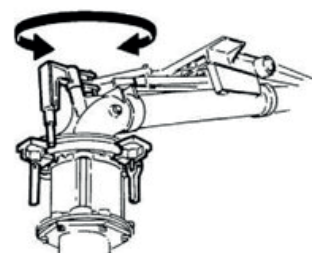
Width 195 cm.
Length without drawbar 620 cm.
Height 363 cm.

Nelson SR 150 is factory-adjusted to Danish conditions and ready to use after the following three steps:

1. Select and install the nozzle size that best suits your application. Performance data for the different sizes are shown in the table below.
2. Adjust the stop on the part circle to obtain the desired irrigation angle.
3. There is a grease fitting which should be checked once a week for refilling.

ADJUSTMENT

The only thing you can adjust is the counterweight on the drive arm. By moving the counterweight forward, the gun will slowly irrigate from side to side. If you move the counterweight back, the gun will irrigate quickly. If it does not irrigate quickly enough, you can remove the brake springs (no. 778474) in pairs (contact the service department).



WARNING: DO NOT ADJUST WHEN THE GUN IS IRRIGATING !!

DANGER.....: HIGH WATER PRESSURE – STAY CLEAR !!

TABLE FOR NELSON SR 150

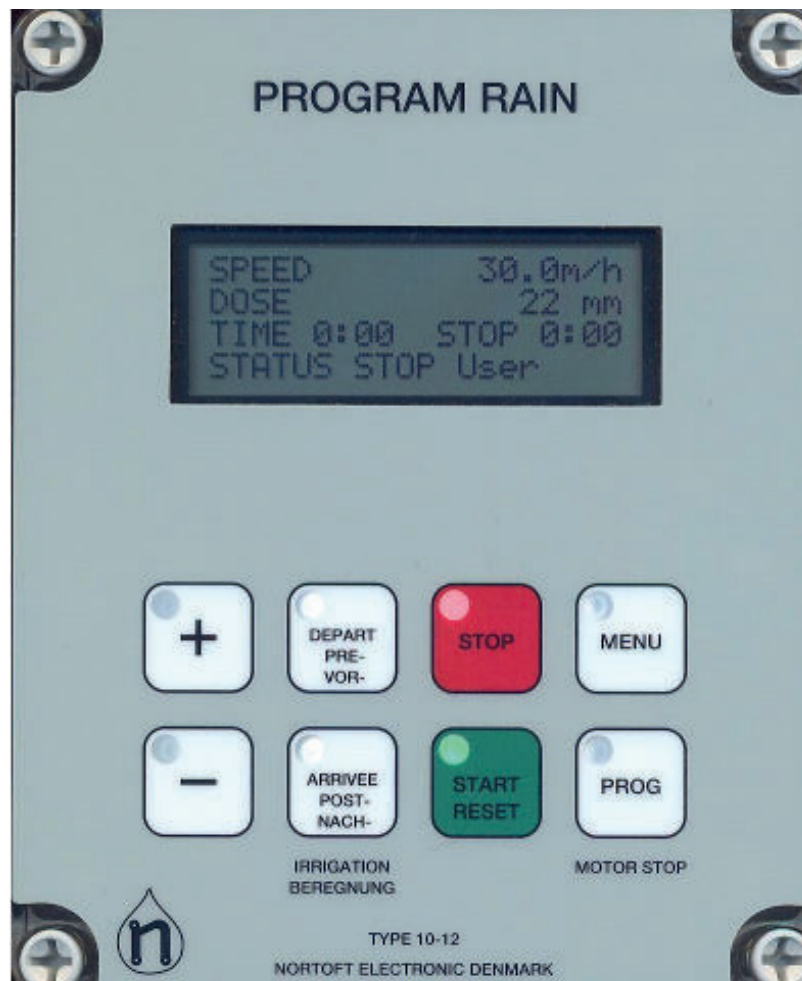
Dysetabel for Nelson SR150 kanon, 21°- Plastdyser.

Tryk (Bar)	18mm		19mm		20mm		21mm		22mm		23mm		24mm	
	m ³ /h	Rad.(m)	m ³ /h	Rad.(m)	m ³ /h	Rad.(m)	m ³ /h	Rad.(m)	m ³ /h	Rad.(m)	m ³ /h	Rad.(m)	m ³ /h	Rad.(m)
3,5	20,2	32,5	22,7	33,5	25,4	34,5	28,0	36,0	30,9	36,5	34,1	37,5	37,5	38,8
4,0	21,6	33,5	24,3	34,5	27,1	35,7	29,9	36,5	33,0	37,8	36,4	38,8	40,1	40,0
4,5	22,9	34,5	25,7	35,7	28,7	36,5	31,7	37,8	35,0	39,2	38,6	40,5	42,5	41,4
5,0	24,2	35,2	27,1	36,5	30,3	37,8	33,4	39,2	36,9	40,5	40,7	41,4	44,8	42,7
5,5	25,3	36,5	28,5	37,8	31,7	38,7	35,1	40,0	38,7	41,4	42,6	42,7	47,0	44,0
6,0	26,5	37,4	29,8	38,7	33,1	40,0	36,6	41,4	40,4	42,7	44,5	44,0	49,0	45,3

Tryk (Bar)	25mm		26mm		27mm		28mm		29mm		30mm		31mm	
	m ³ /h	Rad.(m)	m ³ /h	Rad.(m)	m ³ /h	Rad.(m)	m ³ /h	Rad.(m)	m ³ /h	Rad.(m)	m ³ /h	Rad.(m)	m ³ /h	Rad.(m)
3,5	41,0	39,6	44,8	40,5	49,0	41,8	53,3	42,7	57,9	44,0	62,8	44,8	67,8	45,8
4,0	43,8	40,9	47,8	42,2	52,3	43,1	57,0	44,5	61,9	45,8	67,1	46,6	72,5	47,5
4,5	46,5	42,7	50,7	43,6	55,5	44,5	60,5	45,8	65,7	47,0	71,2	48,0	76,9	49,3
5,0	49,0	44,0	53,5	44,5	58,5	46,2	63,8	47,5	69,2	48,4	75,1	49,7	81,1	50,6
5,5	51,4	44,5	56,1	46,2	61,4	47,5	66,9	48,8	72,6	50,2	78,7	51,0	85,0	52,4
6,0	53,7	46,2	58,6	47,5	64,1	48,8	69,9	49,7	75,8	51,0	82,2	52,4	88,8	53,7

Tryk (Bar)	32mm		33mm		34mm	
	m ³ /h	Rad.(m)	m ³ /h	Rad.(m)	m ³ /h	Rad.(m)
3,5	73,1	46,6	78,7	47,5	84,5	48,4
4,0	78,1	48,4	84,2	49,3	90,3	50,2
4,5	82,9	50,2	89,3	51,0	95,8	51,9
5,0	87,4	51,9	94,1	52,8	101,0	53,2
5,5	91,6	53,2	97,8	54,1	105,9	55,0
6,0	95,7	54,6	103,0	55,4	110,6	56,3





<p>Functions:</p> <ul style="list-style-type: none"> Speed regulator Pre- and Post-irrigation 4 different speeds on sections of the lane Clock Setting the start time Stop time is shown on the display Length of hose Current speed Battery volts Charge regulator 	<ul style="list-style-type: none"> Pressure sensor Stop sensor Speed sensor Motor 1, regulating motor Motor 2, stop motor Slow start of turbine Slow opening of inlet Water volume + spreading width <p>Accessories:</p> <ul style="list-style-type: none"> GSM, SMS messages for remote control. Analogue pressure sensor.
--	--

Short instructions for use



Place machine:

SPEED	30.0m/h
DOSE	22 mm
TIME	7:28 STOP 7:28
STATUS	STOP Sensor

Move machine to a new lane. Display shows start and stop time. Pull hose out to end of the lane. (e.g. 250 m)

Select Speed:

SPEED	30.0m/h
DOSE	22 mm
TIME	7:56 STOP17:16
STATUS	STOP Sensor

Display now shows stop after 9h 20m. Press the "+" or "-" key to set the speed. Speed can be adjusted during irrigation.

SPEED	25.0m/h
DOSE	26 mm
TIME	7:58 STOP17:58
STATUS	STOP Sensor

SPEED has decreased, DOSE has increased and STOP time is later.

Start Irrigate, Select PRE- and POST Irrigation.

SPEED	25.0m/h
DOSE	26 mm
TIME	7:58 STOP17:58
STATUS	STOP Sensor

Press START to start. Press PRE and POST for pre- and post-irrigation respectively. STOP time will be later when PRE and POST irrigation are selected.

Starting:

SPEED	25.0m/h
DOSE	26 mm
TIME	8:00 STOP18:38
STATUS	Running

The turbine will start when the water pressure increases. After a short period, the regulator finds the correct speed. Irrigation continues until STOP SENSOR is activated at the end of the lane.

-PRE Irrigation

SPEED	25.0m/h
DOSE	26 mm
TIME	8:02 STOP18:38
STATUS	PRE Irrigate

If pre-irrigation is selected, the turbine stops immediately after performing a start and pre-irrigation. When the pre-irrigation time has elapsed, the turbine starts and the machine changes status to Irrigating.

-POST Irrigation

SPEED	25.0m/h
DOSE	26 mm
TIME	18:20 STOP18:38
STATUS	POST Irri.

If post-irrigation is selected, the turbine stops at the end of the lane when the stop sensor is activated. Post-irrigation then starts.

Stop:

SPEED	25.0m/h
DOSE	26 mm
TIME	18:38 STOP18:38
STATUS	STOP Sensor

Stop sensor is activated, turbine and water are shut off. The machine is now ready to be moved to a new lane.

Standard menu:

SPEED	30.0m/h
DOSE	22 mm
TIME 14:10 STOP 7:43	
STATUS Running	

Standard display

- SPEED** Speed. Can be changed at any time during irrigation using the "+" and "-" keys.

- ZONE** Current zone 1...4, with corresponding speed. The speed cannot be changed. (Zone active)

- DOSE** The dose is calculated from the speed and constants and shows the current number of mm for irrigation. As SPEED increases, DOSE decreases. (Constants 11 and 12)

- TIME** To set the time: Set SPEED to 11.1 m/h and press the **PROG** key 3 + 1 times until the display shows <CONST 1 TIME>. The time can then be set with the "+" and "-" keys. When the battery has been disconnected, the clock will show 0:00 until it is set again.

- STOP** The time that irrigation is completed, incl. pre- and post-irrigation. If the clock is not set and shows 0:00, the total irrigation time is displayed.

- STATUS** Irrigation status, e.g.:
 - < Stop Sensor >
 - < Irrigating >
 - < Pre-irrigating >
 - < Post-irrigating >
 - < LOW pressure >
 See explanation in STATUS chapter.

If the display shows: **LOW BATTERY** instead of SPEED, the battery voltage is below 11.8 V and the battery needs to be charged.

MENU 2

DISTANCE	123m
BATTERY	12.8V
CHARGE ON	0.231A
PRE. 0:45 POST 0:45	

- DISTANCE Length of the unwound hose. The length can be changed immediately after pressing the **PROG** key 3 times, using the "+" and "-" keys.

- BATTERY Battery voltage.

- CHARGER ON Shows when the battery is being charged by a solar cell. The battery is charged when the voltage is below 14.0 volts.

- PRE Shows the pre-irrigation time.

- POST Shows the post-irrigation time.

- The pre- and post-irrigation times can be changed immediately after pressing the PRE- or **POST**- keys, using the "+" and "-" keys.

MENU 4

ACTUAL SPEED	22m/h
START	0 : 00
STOP	7 : 43
WORKING HOURS	123h

CURR. SPEED Shows the current speed. That is, the speed at which the machine is moving now. This can be used to find how fast the machine can move. The current speed may differ slightly from the set speed, especially at the start. This does not matter, as regulation ensures that the average speed within 10 metres is correct.

START Start machine delay. The machine start time can be delayed by up to 24 hours. To set the start time, press the **PROG** key 3 times, then set the time using the "+" and "-" keys.

STOP The time that irrigation is completed with a delayed start.

OPERATING HOURS Shows how many hours the machine has been running since the electronics started for the first time.

MENU 5

0m	30 . 0m/h	0m
0m	30 . 0m/h	0m
0m	30 . 0m/h	0m
0m	30 . 0m/h	0m

This menu is for irrigation at different speeds in zones of the lane.
 Press the **PROG key 3 times to program the zones.**
See later chapter for details.

PRE-IRRIGATION:

If pre-irrigation is required, press the **PRE-** key. The pre-irrigation time is calculated as 8 x the time to move 1 m at the current speed. The constant can be changed individually for pre- and post-irrigation. (See constants). If pre-irrigation is selected, the machine will move forward approx. ½ m, after which the machine will stop and stand still for as long as pre-irrigation is performed. Menu 2 shows the number of minutes remaining of the pre-irrigation time. If you want to cancel pre-irrigation, press the **START** key. This will cancel both pre- and post-irrigation and the turbine will start.

POST-IRRIGATION:

If post-irrigation is required, press the **POST-** key. The post-irrigation time is calculated as 8 x the time to move 1 m at the current speed. The constant "8" can be changed individually for pre- and post-irrigation. (See constants on page 16). Post-irrigation starts counting down when the magnet is removed from the stop sensor. When the stop sensor is activated, the turbine stops and post-irrigation starts counting down (see menu 2). When the post-irrigation time has elapsed, the main valve closes. (Opens in installations with negative pressure stops). For machines with mechanical end stops: The turbine stops when the stop sensor is activated. When the post-irrigation time has elapsed, the turbine starts and the machine moves to the mechanical end stop. Press **START** to cancel post-irrigation. If constant "8" (early stop) is selected, the machine will stop when it reaches the selected distance.

PROGRAMMING 4 DIFFERENT SPEEDS:

The hose must be unwound before programming, so the computer knows the number of metres in the irrigation lane. The following example assumes that the unwound hose is 400 m. Press the **PROG** key 3 times and the display will show:

400m	30.0m/h	0m
0m	30.0m/h	0m
0m	30.0m/h	0m
0m	30.0m/h	0m

The desired speed can now be selected, in this case 25.0 m/h. Press the **PROG** key and the display will show:

400m	25.0m/h	0m
0m	30.0m/h	0m
0m	30.0m/h	0m
0m	30.0m/h	0m

The desired distance can now be selected, in this case 300 m. Press the **PROG** key and the display will show:

400m	25.0m/h	300m
300m	30.0m/h	0m
0m	30.0m/h	0m
0m	30.0m/h	0m

Now that the first zone is programmed, apply the same procedure to all 4 zones. Zone 4 automatically ends at 0. When zone 4 is programmed, press the **PROG** key again and the display will show:

DELETE	PRESS	MENU
SAVE	PRESS	PROG

If **PROG** is pressed, the program is stored and irrigation will be performed according to this program.

If **MENU** is pressed, the program is deleted and the speed is the same for the entire irrigation lane.

There are a variety of constants that can be modified by the user.
 These constants will be stored for many years, even if the battery is removed.

Programming procedure:

Adjust the speed to 11.1 m/h to access the constants.

Press the PROG key 3 times in quick succession to access and change the constants.

Press the PROG key again to count forward to the constant you wish to change.

Press "+" and "-" to adjust the value of the constant.

Press the MENU key to save the change and the display will return to normal.

If the MENU key is not pressed, the display will return to normal after 1 minute and the change will not be saved.

CONSTANTS

Cons no.	Note	Fact. Adj.	Min. Value	Max. Value	Description
0		100	-	-	Enter 111 to reach machine data
1		00:00	00:00	23:59	Time in line 2 is set
2		8	1	15	Pre irrigation
3		8	1	15	Pre irrigation
4		20	0	99	Supervision time [minutes]
5		1	1	15	1 English, 2 Danish, 3 German, 4 French, 5, Dutch 6 Swedish, 7 Spanish, 8 Italian, 9 Polish, 10 Japanese 11 Hungarian
6		0	0	2	0 = Stop for high pressure slow shutdown 1 = Stop for low pressure. valve opens and close again after 3 minutes 2 = Motor for stop disconnected
7		-	0	1000	Actual distance, can be set by the keyboard [m]
8		0	0	1000	Early stop [m] (* Is only performed when Post Irrigation is selected *)
9		0	0	1000	Post irrigation before stop [m]
10		0	0	1000	Distance for alarm [m] (* Disabled if Machine data 22. Sprinkler, is selected *)
11		40	5	120	Water flow [m ³ /h]
12		60	5	100	Spacing between irrigation lanes [m]

Set Constant no. 0 to 111 to set the machine data.
 Then press **PROG** to display the machine data.

MACHINE DATA

40		0	0	2	Analog Pressure gauge 0 = Digital switch 1 = Analog pressure gauge – Display units [BAR] 2 = Analog pressure gauge – Display units [PSI]
41		0.50	0,10	5.00	Voltage Offset [V]
42		0.20	0,05	5.00	Voltage gain [V]
43		3.5	0,0	25.0	Pressure setpoint 0.0 –25.0 [BAR] Pressure level for Off – On
44		0.2	0.2	25.0	Pressure hysteresis 0.2 – 25.0 [BAR] Setpoint - 0.5* hysteresis for Off Setpoint + 0.5* hysteresis for On Default settings 0.2 <ul style="list-style-type: none"> • 3.4 BAR = Off • 3.6 BAR = On

Troubleshooting:

?

The turbine does not start when the START key is pressed.

Answer:

The magnet at the stop sensor is not in position or the sensor or sensor cable is damaged.

Stop sensor: The mark ■ must be on when the magnet is in position and off when the magnet is removed. See Menu 3.

A damaged cable can be assembled in an epoxy moulded assembly or with shrinkable tubing and glue.

However, since the sensors are more sensitive than telephone cables in the ground, cable assembly must be seen as an emergency solution.

If a pressostat is installed, the water must be pressurized. The mark ■ must be on when there is pressure.

?

No numbers in the display.

Answer:

Battery disconnected. Fuse inside the box may have blown. The fuse will blow if the battery is wrongly connected.

An additional fuse is available from the factory on a single fuse terminal on the circuit board.

Fuse 5A. Battery voltage 12V. See Menu 2.

?

Clock is set to 00:00

Answer:

If the power is interrupted, the clock is reset. The end time is then the number of hours and minutes until irrigation is complete.

See page 15 for setting the clock.

?

The number of metres is not counted correctly and the speed is not correct.

Answer:

If the speed is measured with a roller running on the hose, check whether the roller is running smoothly or if it is not installed properly on the hose. You will also need to check that the roller sensor with cable is functioning properly. See Menu 3 Speed sensor.

The 2 marks ■ ■ must light up in the following order from the right during unwinding: The first one turns on, then the second one turns on, the first one turns off, then the second one turns off. During rewind, this happens in reverse order.

?

Only half or perhaps 2/3 of the actual length has been counted.

Answer:

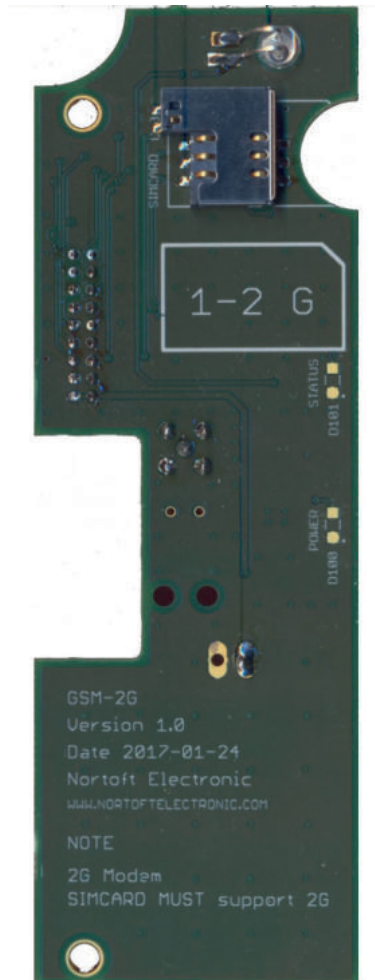
The stop bracket with magnet for the stop sensor may have jumped, so the magnet has been removed temporarily from the stop sensor. This will reset the counter. Or a hose turn has been so loose that it has impacted the miswinding bracket.

This is usually the same as the impact on the stop bracket and has the same result.

Even if the metres are not saved in the memory, irrigation will still continue at the selected speed and the machine will stop as normal. However, there will be deviations if the speed is measured on a gear disc and the calculation is based on formulas entered in MACHINE DATA. This is because the electronics do not know which hose layer the machine is running on. Finally, the metres can be entered manually.

See page 21. CONSTANT no. 7

GSM-2G



Functions

Easy installation on PR10-12

Low power consumption

Total 10 mA consumption, PR10-12 and GSM-2G

Visible status LED

Supplied with

Antenna with 2 metre cable

Mounting accessories

Modem

- **Dual band 850/900/1800/1900 MHz**
- GPRS multi slot class 12/10
- GPRS mobile station class B
- Compliant to GSM phase 2/2+
- Class 4 (2 W @850/900 MHz)
- Class 1 (1 W @1800/1900MHz)
- Temperature range: -40 °C ~ 85 °C

How to start the system:

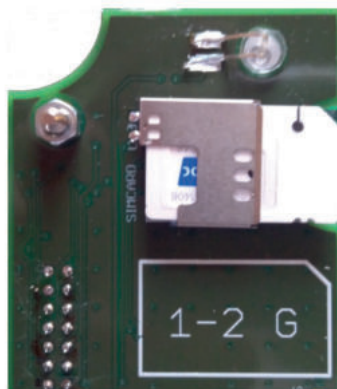
Disconnect the battery from the electronics.

Insert the SIM card in a regular mobile phone and change the pin code to 1111.
Try sending and receiving an SMS to see whether the SIM and account work as intended.

Note that SIM card **MUST** support 2G. Some operators do not support 2G.

Install the modem using the supplied threaded rods.

Insert the SIM card in the modem device.



Connect the battery and set machine data #30

= 0 No GSM

= 1 Use GSM, all tele numbers can be used, no speed setting

=2 Use GSM, only the numbers created in the SMS list can be used.

SPEED	11.1 m/h
DOSE	22 mm
TIME	14:10 Stop 7:43
M.DATA	30 1

See chapter for setting up data.

After approx. 30-45 seconds, the modem should be connected to the GSM network.

SIGNAL	23
NETWORK	HOME
A:	+45123456
B:	+45234567

Signal strength, 0 - 31 and the network is then displayed in menu #6

Signal strength of 10 or above is a stable connection.

Signal strength of 99 indicates no signal.

- Missing antenna

- Very poor signal

General instructions for use

MENU's

SPEED	30.0m/h
DOSE	22 mm
TIME 14:10 STOP 7:43	
STATUS	Running

Standard display

ZONE	1	30.0m/h
DOSE		22 mm
TIME 14:10 STOP 7:43		
STATUS		Running

Standard display, ZONE irrigation is selected.

DISTANCE	123m
BATTERY	12.8V
CHARGE ON	0.231A
PRE. 0:45 POST 0:45	

Press the **MENU key 1 time to display menu 2**

PRESS SENSOR	■
STOP SENSOR	■
SPEED SENSOR	■ ■
MOT1 0.0A MOT2 1.8A	

Press the **MENU key 2 times to display menu 3**

ACTUAL SPEED	22m/h
START	0:00
STOP	7:45
WORKING HOURS	123h

Press the **MENU key 3 times to display menu 4**

0m	30.0m/h	0m
0m	30.0m/h	0m
0m	30.0m/h	0m
0m	30.0m/h	0m

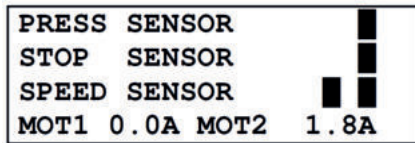
Press the **MENU key 4 times to display menu 5**

SIGNAL	23
NETWORK HOME	
A: +45123456	
B: +45234567	

Press the **MENU key 5 times to display menu 6**
(Only if GSM is selected)

When ■ appears in the display, this indicates that the relevant function is ON.

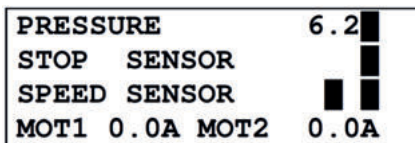
MENU 3



PRESSURE SENSOR

Shows that the pressure is high when block is lit. **The machine can only move when the pressure is high. If no pressure sensor is fitted (machine data 14 = 0), the machine will move regardless of pressure status.**

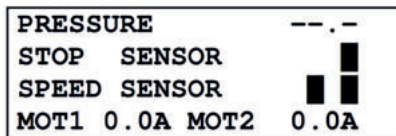
The machine can be fitted with analogue pressure sensors. Sensors must be connected according to the diagram. Pressure sensor functions, except for pressure display, are the same as for digital pressure sensors. There are constants for the pressure sensor type. Similarly, set point and hysteresis can be selected for each machine.



Shows pressure in [BAR] (00.0) or [PSI] (000). Pressure is high when ■ is lit.

The machine can only move when the pressure is high.

If no pressure sensor is fitted (machine data 14 = 0), the machine will operate regardless of pressure status.



STOP SENSOR

Shows that the magnet is aligned with the stop sensor when block is lit.

The machine can only start when the magnet is aligned with the stop sensor.

The stop sensor has 3 functions:

1. **Reset distance.**
2. **Post-irrigation.**
3. **Stop pulses to the regulator motor.**

SPEED SENSOR

For the speed sensor test, block is only lit when the magnet passes the sensor.

MOT1, MOT2

Displays the current motor current. When the current exceeds 4.5 A, the motor stops.

If the current exceeds 4.5 A and the valve is not in the outer position, there may be a blockage in the valve.

MENU 5

SIGNAL 23
NETWORK HOME
A: +45123456
B: +45234567

SIGNAL GSM signal strength.
 NETWORK GSM network.
 A: First number on "SMS" list.
 B: Second number on "SMS" list.

See GSM chapter for details.

START:

The turbine can only start if the magnet is aligned with the end stop sensor (or end stop sensors). See menu 3 for control of the STOP SENSOR. Press the START key to turn on the water. The regulator valve for bypass around the turbine then closes. (Turbine starts). If the end stop sensor is not in place, only the main valve can be opened, which then immediately closes again. Used to relieve pressure before removing charge hose from hydrant.

DEFERRAL OF START TIME

First press the STOP key to shut off the water. Then press the MENU key 3 times and PROG 3 times. The start time can be set using the "+" and "-" keys. Finally, select pre- and post-irrigation. To exit, press MENU. Info: The clock can only be set forwards.

STOP:

When the magnet is removed from the end stop sensor, the turbine stops and the main valve shuts off the water (turns on the water at negative pressure). If post-irrigation is selected, rewinding stops when the magnet is removed from the sensor. When the post-irrigation time has elapsed, the main valve closes. When the STOP key is pressed, the turbine stops immediately and the main valve shuts off the water, regardless of whether post-irrigation is selected.

SUPERVISION:

Program Rain has a built-in supervision system. The supervision system will be activated if for any reason the machine has water in the same location for longer than a specified time. This time is factory-set to 20 minutes. If the time is set to 0, there is no supervision. (See constants on page 17 for setting the supervision time.) If speed supervision less than 50 % of pre-selection is required, select speed supervision together with the above time.

SPEED:

The speed is set using the "+" and "-" keys. First count up in steps of 0.1 m/h. After 10 steps, count up in steps of 1 m/h. The speed can be changed at any time during irrigation. If the speed changes during irrigation, the dose and time for the remaining irrigation will be calculated immediately based on the new speed.

STATUS	Status messages in display
EMERGENCY:	Machine has not been started, anyway speed pulses is received and it is trying to maintain the speed requested.
RUNNING:	The machine is irrigating, and everything is working properly.
LOW PRESSURE:	Water pressure is below pressure switch treshold. Machine acts depending on Machine data.
STARTING:	Operator has pressed START key, and start sequens is in process.
START REMOTE:	Machine is starting due to an SMS .
START DELAY:	Machine is waiting for start delay to elapse. (See menu 4).
START PRESSURE:	Machine has started due to pressure rise. Machine is using pressure level, to start 2'nd machine on string. Operator is holding STOP key to prevent PRESSURE and REMOTE start.
START DENIED:	Machine has stopped due to operator STOP .
STOP USER:	Machine has stopped due to an SMS .
STOP REMOTE:	Machine has reached end and is stopped by STOP SENSOR .
STOP SENSOR:	Machine has reached distance for stop. (See constant for early stop).
STOP DISTANCE:	Machine has reached stop but waits nn Seconds to proceed stop sequence.
STOP DELAY:	Operator is pressing START key, preventing REMOTE stop.
STOP DENIED:	Machine has stopped due to supervision time is elapsed. Machine has not moved in nn minutes. (See constant for supervision time).
SUPERVISION TIME:	Machine opens valve, to force pressure drop, to stop main pompe. After 2 minutes, valve closes to prevent draining of pipes.
FORCE LOW PRES:	Machine is performing pre irrigation
PRE IRRIGATION:	Machine is performing post irrigation
POST IRRIGATION:	

MACHINE DATA The user can change the following machine data:

Machine data Number of flashing digits		Possible setting	Factory settings
0	Hose length	0 - 1,000m	Not used
1	Hose diameter	40 - 200 mm	Not used
2	Hose drum int. Diameter	500 - 3,000 mm	Not used
3	Number of hose turns per layer	5.00 - 30.00	Not used
4	Large gear on hose drum	50 - 1000	Not used
5	Small gear on gearbox	5 - 40	Not used
6	Number of magnets	1 - 20	Not used
7	Ovality compared to 100 %	0.70 - 1.00	Not used
8	Length of first pulse to stop valve	0 - 45 sec.	3
9	Length of subsequent short pulses to stop valve	0 - 300 m/sec.	160
10	Time between short pulses to stop valve	1 - 5 sec.	2
11	Number of short pulses to stop valve	0 - 250	100
12	Mechanical stop (with only 1 motor) Electrical stop (closed low pressure) even if the pressostat registers low pressure	0 1	1
13	Length of pulse to regulator motor at start-up (Oil pump Motor 1)	26.1 - 0.9 sec.	4.5
14	Pressostat not connected Pressostat connected (to start/stop) or Radio start Pressostat installed: (can be used (for start only) for 2 machines on the same system, Autostart with special pressostat.)	0 1 2	1
15	Length machine moves per pulse: 0 = Moves according to formula FM4300 & FM4300H = 73.5 mm (2 magnets) FM4300 & FM4300H = 38.8 mm (4 magnets) FM4400 & FM4400H = 46.2 mm (4 magnets) Old Rear axle assembly FM4400 & FM4400H = 46.0 mm (4 magnets) New Rear axle assembly FM4500 & FM4500H = 85.0 mm (2 magnets) FM4500 & FM4500H = 42.5 mm (4 magnets) FM4550 & FM4550H = 46.2 mm (4 magnets) Old Rear axle assembly FM4550 & FM4550H = 46.0 mm (4 magnets) New Rear axle assembly FM4800H = 43.3 mm (4 magnets) Old Rear axle assembly FM4800H = 46.0 mm (4 magnets) New Rear axle assembly FM4900H = 103.0 mm (2 magnets) FM4900H = 51.5 mm (4 magnets) FM4900H = 46.8 mm (4 magnets) New Rear axle assembly FM5500H = 47.0 mm (4 magnets) FM5500H = 47.0 mm (4 magnets) New Rear axle assembly 62.5 = When moving with roller Ø80 [mm] 0 = Moves according to formula (with data number 0 to 7)	0 - 160.0 mm	
16	Speed sensor 0 = Round sensor for roller 1 = Double sensor	0 1	1
17	Opening of inlet valve 0 = Quick opening 1 = Slow opening	0 1	0
18	Pressostat 0 = Inlet remains open at low pressure 1 = inlet closes at low pressure	0 1	0
19	Delay from stop sensor to turbine stopping (sec)	0	0

Program Rain can be set to 2 different types of sensors.

See Machine Data #16 Sensor

One is a round sensor with 4 built-in sensors and can only be used for rollers with 1 magnet. When the battery is connected, the display shows the following for 2 seconds: VERSION n.n0.

The other is a rectangular sensor with 2 built-in sensors (double sensor). This is used for scanning on rollers with more than 1 magnet and for discs with from 1 to 20 magnets. When the battery is connected, the display shows the following for 2 seconds: VERSION n.n1.

Cable connection

Double sensor.			Round sensor		
Program Rain 10 18 Pol Connector			Program Rain 10		
Cable connection	Version n.n1	Double sensor	Cable connection	Version n.n0	Round sensor
1 + Battery	Brown	12 V	1 + Battery	Brown	12 V
2 - Battery	Blue		2 - Battery	Blue	
3 + Solar Panel	Brown		3 + Solar Panel	Brown	
4 - Solar Panel	Blue		4 - Solar Panel	Blue	
5 Motor 1	Speed Regulation		5 Motor 1	Speed Regulation	
6 Motor 1	Speed regulation		6 Motor 1	Speed regulation	
7 Speed Sensor 1 *	Blue		7 Speed Sensor	Blue	
8 Speed Sensor 1 *	Black		8 Speed Sensor *	Black	
9 Speed Sensor 2 *	Yellow/green		9 Speed Sensor *	Yellow/green (Red)	
10 Speed Sensor 2 *	Brown		10 Speed Sensor	Brown	
11 Stop Sensor	Blue or Brown		11 Stop Sensor	Blue or Brown	
12 Stop Sensor	Blue or Brown		12 Stop Sensor	Blue or Brown	
13 Motor 2		Stop Motor	13 Motor 2		Stop Motor
14 Motor 2		Stop Motor	14 Motor 2		Stop Motor
15 Pressure	Blue or Brown		15 Pressure	Blue or Brown	
16 Pressure	Blue or Brown		16 Pressure	Blue or Brown	
17 - BIP			17 BIP -		
18 + BIP	Brown	Sprinkler	18 BIP +	Brown	Sprinkler
Motor 3	Blue	Sprinkler	Motor 3	Blue	Sprinkler
* If the distance counter count the wrong way, the speed sensor should be turned.			* If the distance counter count the wrong way, the cable on terminal 8 and 9 must be interchange.		
Program Rain 10 6 Pol Connector					
19 + GSM	Brown	+12 V			
20 - GSM (-Pressure)	Blue (Green)				
21					
22					
23 + Pressure	Brown	+12 V			
24 Pressure Signal	White	0-5V			

Technical data

Dimension (h*w*d)	170*140*100 [mm]
Voltage	10-15V DC
Current	6 mA (Rest) 30 mA (with GSM) 80 mA (with light)
Fuse	5A motor max. current 5A Fixed

Combining the various constants:

The machine will always be able to run with the factory-set constants. However, there will be different conditions from farm to farm and from machine to machine. Many requests can be met by changing the constants.

1. Slow start-up of turbine. Set machine data no. 13 initially to approx. 2-4.

This causes the speed regulator valve to close only about halfway, after which continued closing is performed in steps until the rewind speed reaches the set speed. The valve can then be fine-tuned to close first to the point where the turbine starts running and then to close in steps until the set speed is achieved.

2. Slow opening of inlet. Set machine data no. 17 to 1.

Opening for the water is then performed in steps.

3. Only one motor for speed regulation. Set machine data no. 12 to 0.

Post-irrigation starts once the turbine stops, when the magnet at the stop sensor is affected. After the post-irrigation time has elapsed, the machine will restart and move to the mechanical stop.

4. Start up no. 2 machine when no. 1 stops. Set machine data no. 12 to 0.

With a pressostat installed on both machines, set the pressostats between the machine's operating pressure and the pump pressostat's stop pressure. For example, the operating pressure may be 6 bar and the pump stop 9 bar. Set the pressostats on the machines to 7.5 bar. No. 2 machine will then start up when the slow closing of the first machine reaches the point where the pressure in the ground line reaches 7.5 bar. Be aware that if the height difference of the fields is too great, the required pressure differentials that the pressostat must be set to may be too great.

5. The machine should stop due to low pressure and with a pressostat installed. Set constant no. 6 to 1 and set machine data no. 12 to 2.

This means that the stop valve opens instead of closing if the line connection to the stop valve is the same.

After 2 minutes, close it again, otherwise you will not be able to obtain pressure at start-up. When machine data 12 is set to 2, the valve can only be opened with the stop sensor, stop button and monitoring. But not when the pressostat is switched off.

GSM

GSM-2G is a GSM modem made for PR10-12.

The machine can be started, stopped or queried about status by sending an SMS.

Commands

Start	Starts the machine.
Stop	Stops the machine
Speed ###	Set the desired speed 3 to 400 m/h
Status	Returns the current machine status.

SMS can be written in small, large or mixed characters.

If you call the modem from a GSM phone, you will receive an SMS with Status

Status

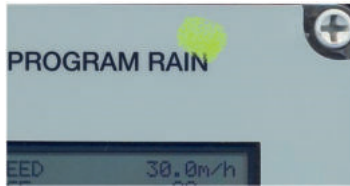
SPEED	30.0m/h
DOSE	22 mm
TIME 14:10 STOP	18:16
STATUS IRRIGATING	
DISTANCE	123 m
BATTERY	12.8V
CHARGER ON	0.231A

SMS sent from machine contains miscellaneous information.

SMS is sent at:

LOW PRESSURE:	The machine has stopped due to a lack of water pressure.
STOP SENSOR:	The machine has reached the end and is ready for a new lane.
STOP TELE:	Machine is stopped via an SMS.
STOP DIST:	The machine has reached the stopping distance. (Constant 8)
STOP MONITOR:	Monitoring has stopped the machine. The machine has not moved for xx minutes. (See constant for monitoring).

Modem has LED to indicate status.



Green

LED

Switched off

Off

- Searching the network
- No SIM card in modem
- Incorrect PIN code
- No GSM network available

Flashes quickly

STANDBY
(Registered on network)

Flashes slowly

Connection (TALKING)

On

When an SMS is received, the display shows:

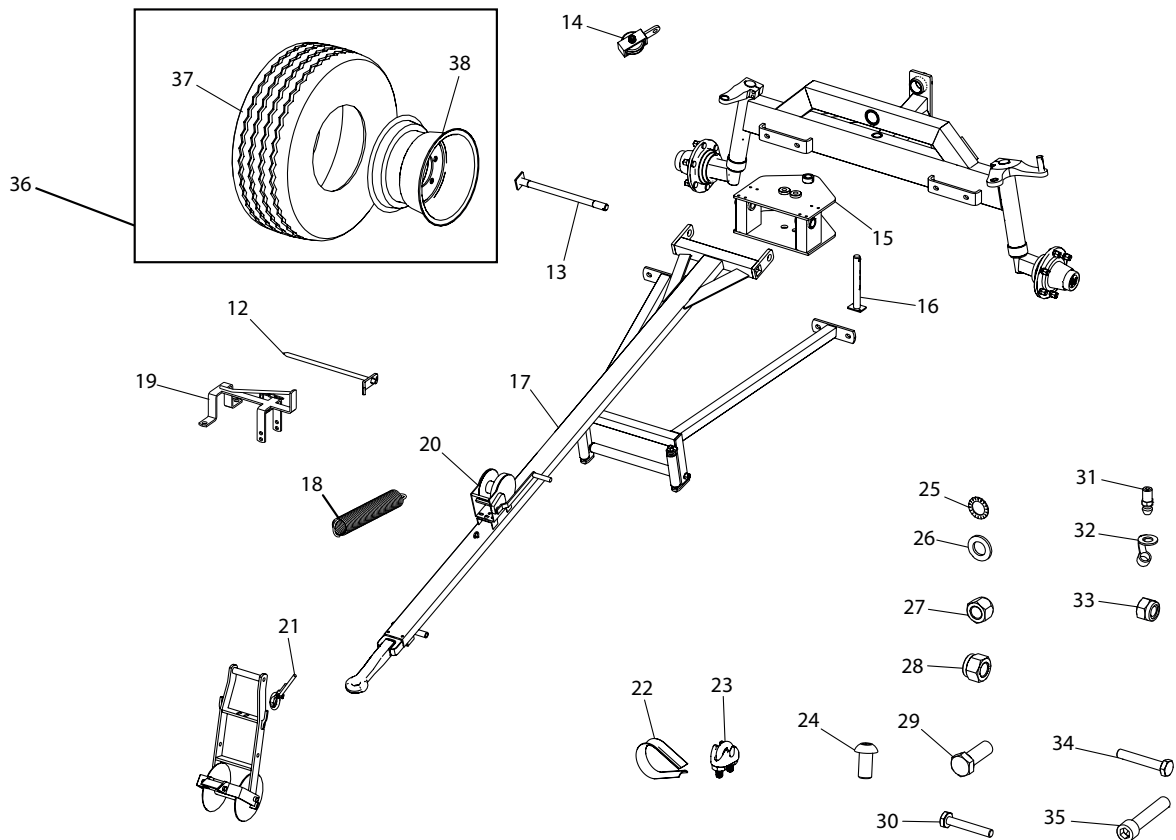
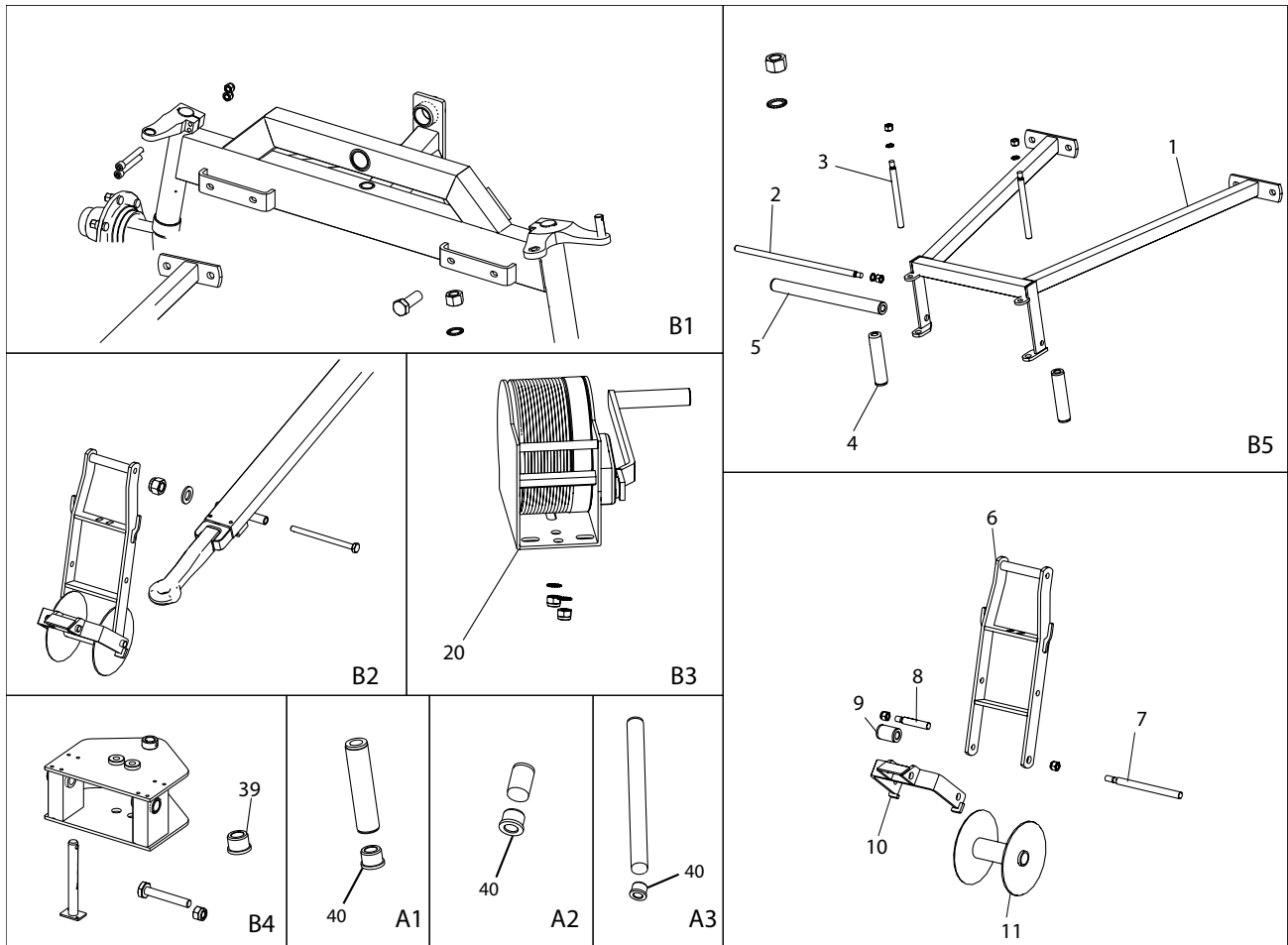
```
Receiving SMS
#: +45123456
Status
```

Receiving an SMS, sender's phone number and 40 characters of message. All SMS can be received, but only known commands are accepted.

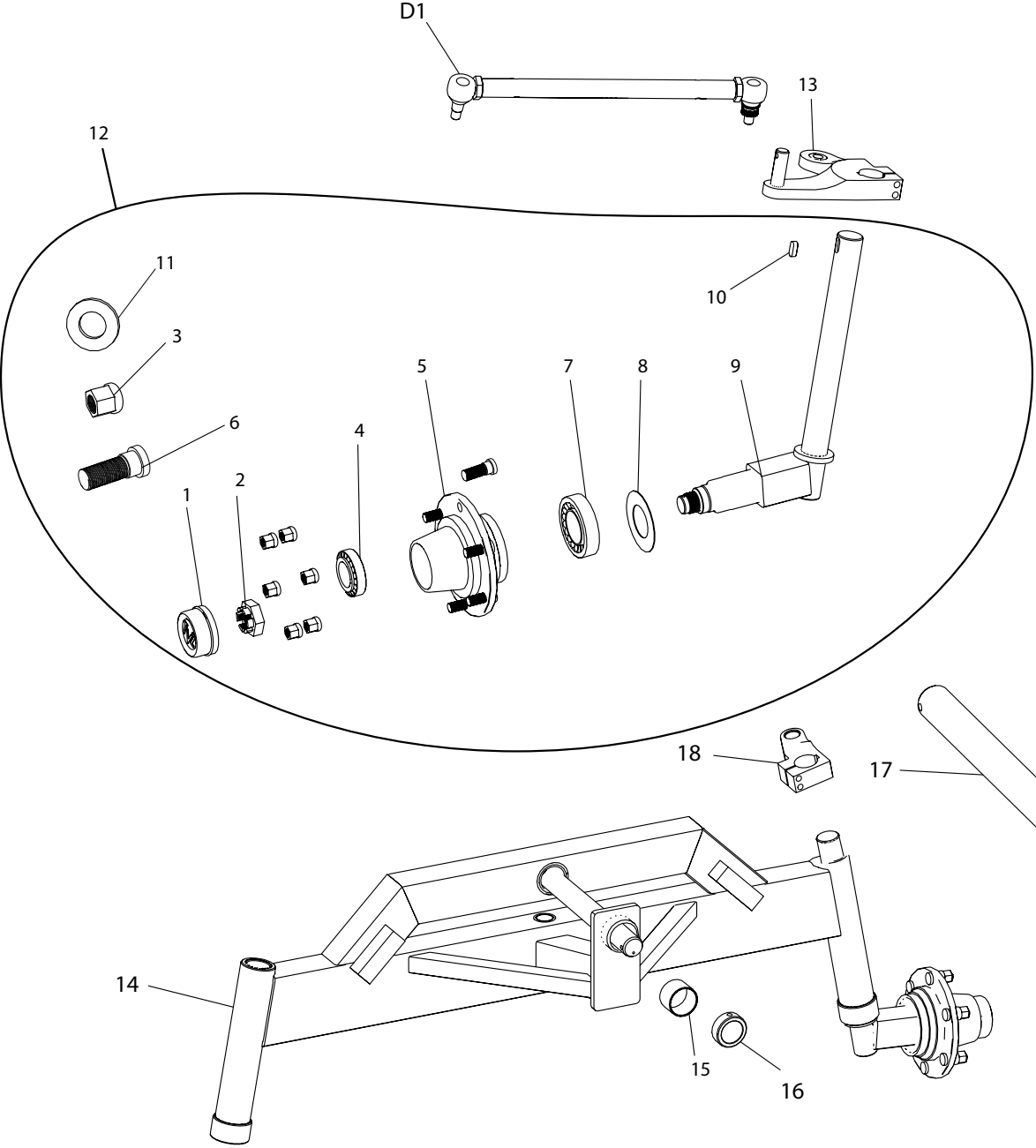
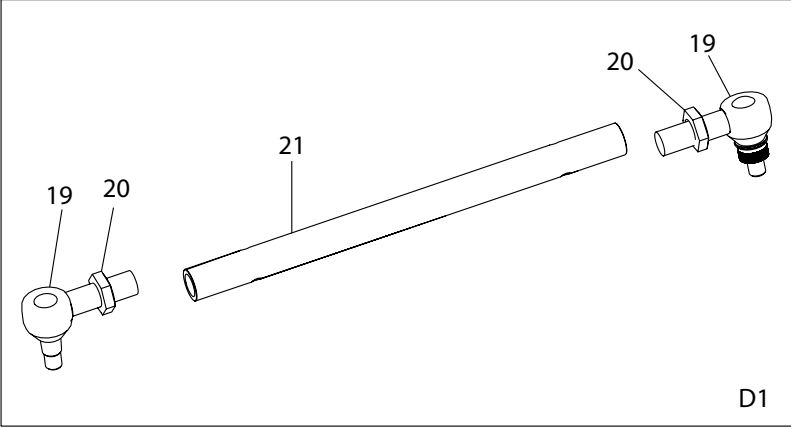
When an SMS is sent, the display shows:

```
Sending SMS
#: +45123456
Status Running
```

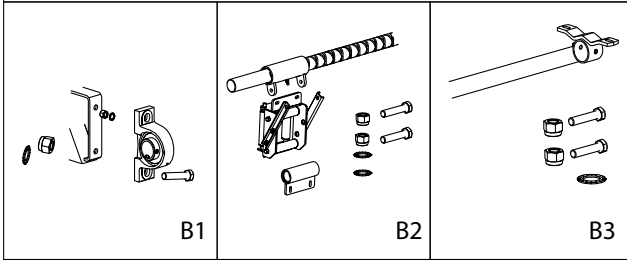
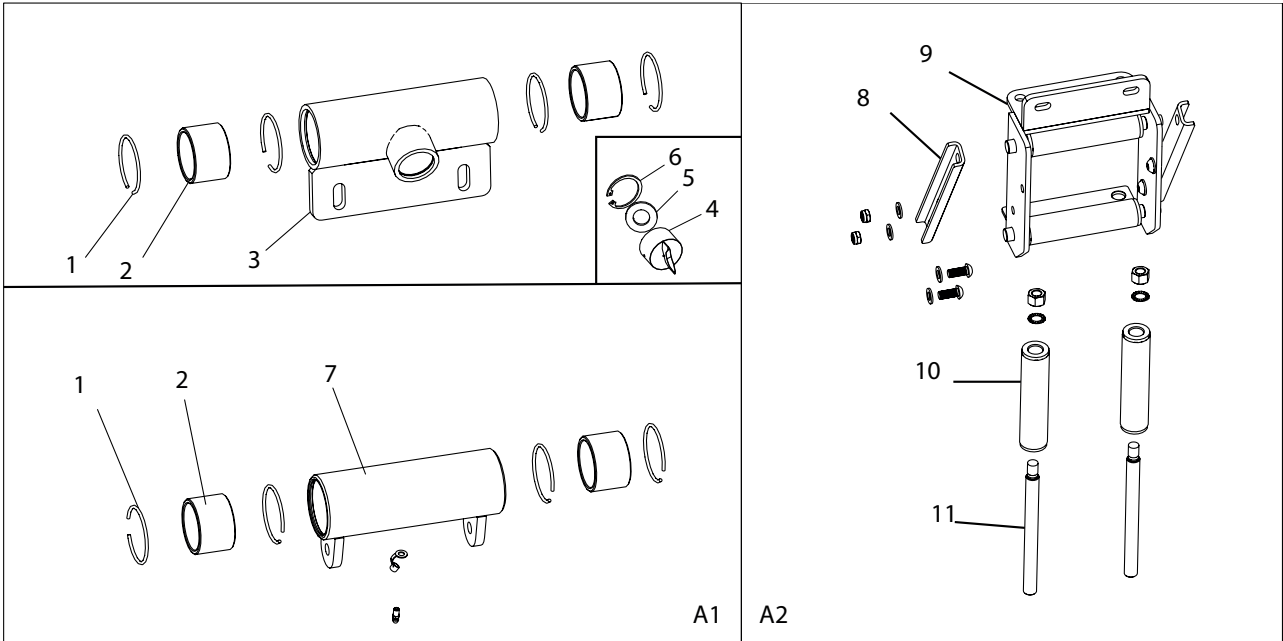
Sending an SMS, receiver's phone number and machine status.



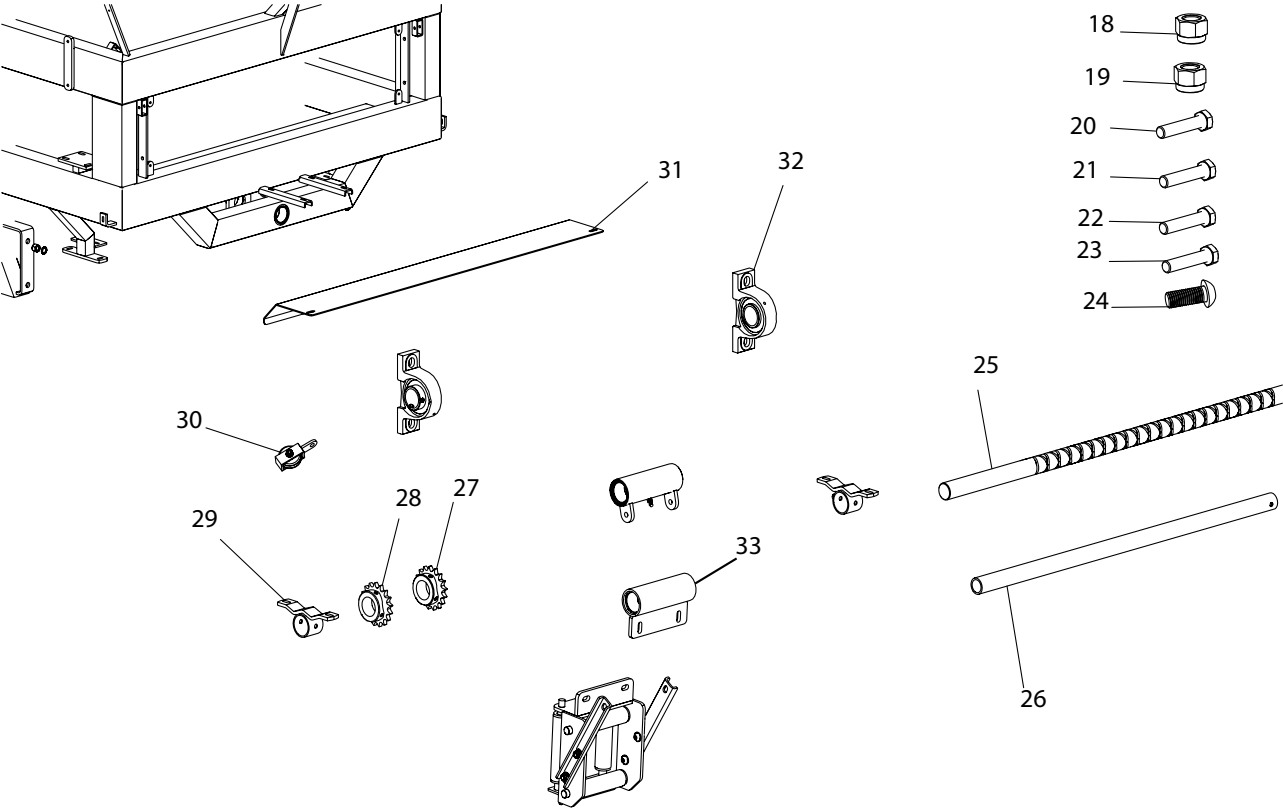
Item no.	Part no.	Qty	Description	Comments
1	1010107-3	1	Front hose guide	
2	1761026	1	Shaft	
3	761025	2	Shaft	
4	761023	2	Support roller 5/4 170 mm	A1
5	1761024	1	Support roller 5/4	A3
6	1008210	1	Bracket for steering wheel	
7	1008218	1	Shaft	
8	761273	1	Shaft 115 mm	
9	761272	1	Support roller 5/4 50mm	A2
10	1008215	1	Safety stop	
11	1008205	1	Steering wheel	
12	1001255	2	Ground spike	
13	1008222	1	Horizontal split pin	
14	761015-10	1	Cable roller	
15	1009170	1	Drawbar bracket	
16	1008220	1	Vertical split pin	
17	1008200	1	Drawbar	
18	2003929	1	Spring	
19	1761006	1	Wheel chock	
20	505500	1	Winch	
20	762036	1	Complete wheel with cable	
21	1007812	1	Cable Ø5 x 7700 mm	
22	761012-1	1	Cable thimbles	
23	761013-1	3	Cable lock	
24	095010020	2	M10 x 20 Round head	B3
25	763916	8	M16 Riplock	B1 & B5 & B2
26	050316	4	M16 Plain washer	B1
27	040416	7	M16 Steel nut	B1 & B5 & B2
28	044012	4	M12 Lock nut	B1
29	022216045	4	M16 x 45 Steel bolt	B1
30	021010065	1	M10 x 65 Steel set bolt	B4
31	761286	1	Lubrication nipple	
32	761286-2	1	Lubrication nipple Cap	
33	044010	3	M10 Lock nut	B3
34	021016230	1	M16 x 230 Steel set bolt	B2
35	030512085	4	M12 x 85 Int. hex	B1
36	1007790	1	Comp Wheel	
37	1008702	2	Wheel	
38	833912	2	Rims	
39	1008226	2	Collar bushing	
40	761271	6	Nylon bearing for Support roller	



Item no.	Part no.	Qty	Description	Comments
1	1009181-6	2	Hub cap	
2	1009181-5	2	Crown nut	
3	1009181-4	12	Hub nut M18	
4	750032210	2	Tapered roller bearing	
5	1009181	1	Hub	
6	1009181-3	12	Hub bolt M18	
7	750032213	2	Tapered roller bearing	
8	1009181-7	2	Sealing washer	
9	1009185	2	Spindle	Left
10	1009188	2	Feather key	
11	1008198	5	Spacer washer for Shaft	
12	1009183	2	Spindle comp with Hub	
13	1009191	1	Spindle arm	
14	1007625	1	Front axle	
15	1008101	3	Bushing	
16	1008195	1	Stop ring	
17	1007629	1	Shaft for front axle	
18	1009192	1	Spindle arm Right	
19	1008155	4	Balljoint	
20	1008157	4	Locknut	
21	1007635	2	Track rod	



- 12 — [part]
- 13 — [part]
- 14 — [part]
- 15 — [part]
- 16 — [part]
- 17 — [part]
- 18 — [part]
- 19 — [part]
- 20 — [part]
- 21 — [part]
- 22 — [part]
- 23 — [part]
- 24 — [part]



Item no.	Part no.	Qty	Description	Comments
1	761329	8	Retaining ring	A1
2	761293	4	Bushing	A1
3	761282-1	1	Guide sleeve	
4	761283	1	Guide shaft (Pin)	
5	761284	1	Washer	
6	701040	1	Int. Retaining ring	A1
7	1008475	1	Sleeve for support pipe carriage	
8	1008490	2	Brace for carriage	
9	1008480	1	Carriage for support pipe	
10	761023	4	Support roller	
11	761025	4	Shaft	
12	761286-2	1	Cap for lubrication nipple	
13	761286	1	Lubrication nipple	
14	050316	4	Plain washer M16	B1
15	763916	8	Riplock M16	B1 & A2
16	763912	4	Riplock M12	A2 & B2 & B1 & B3
17	044010	1	M10 Lock nut	B3
18	044012	12	M12 Lock nut	A2 & B2
19	040416	8	M16 Steel nut	A2 & B1
20	021010075	1	10 x 75 Steel bolt	B3
21	022216050	4	16 x 50 Steel set bolt	B1
22	022212030	4	12 x 30 Steel set bolt	B3
23	022212055	2	12 x 55 Steel set bolt	B2
24	095012035	4	M12 x 35 Round head	A2
25	2002923	1	Cross track shaft	
26	2003469	1	Support pipe for hose guide	
27	1001290	1	Sprocket 110 mm	
28	1761990	1	Sprocket 110 mm	
29	1008485	2	Holder for support pipe	
30	761015-10	1	Cable roller	
31	2003468-1	1	Guard over worm shaft	
32	761289-1	2	Pillow block	
33	761282	1	Comp set Guide sleeve	

Qty	Description	Comments
22	M6 x 12 Int. hex	
18	M6 Plain washer	
22	M6 Lock nut	
2	Door holder	
2	M6 x 25	

A1

Qty	Description	Comments
25	M6 x 12 Int. hex	
18	M6 Plain washer	
25	M6 Lock nut	
2	Door holder	
2	M6 x 25	

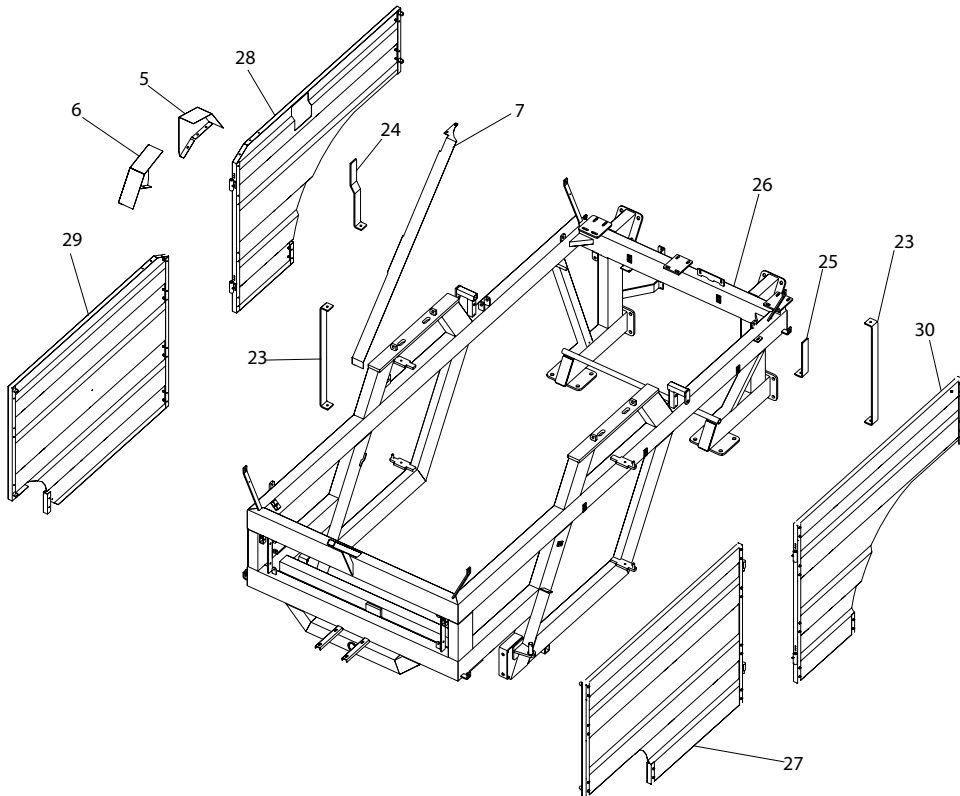
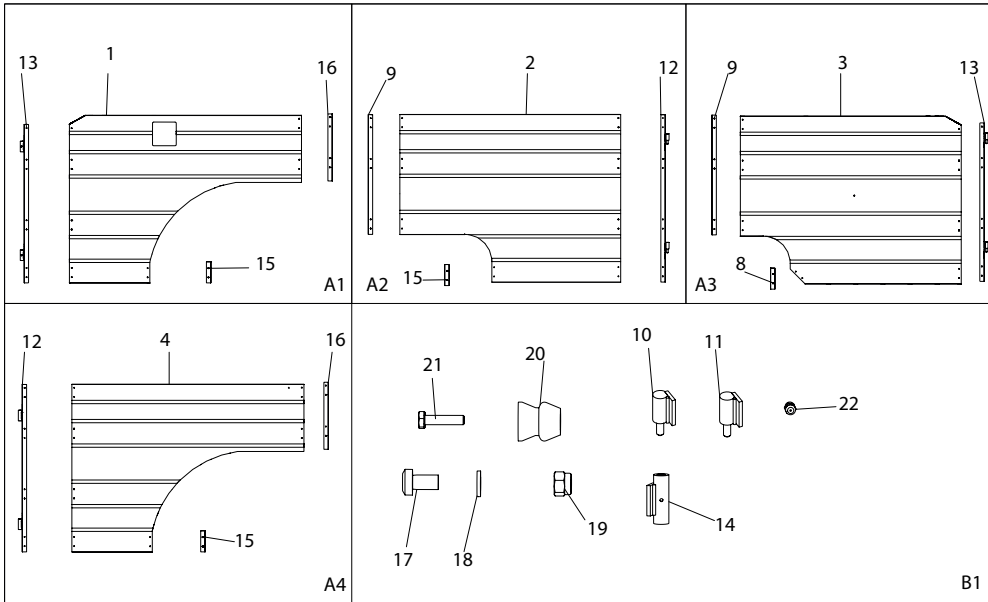
A3

Qty	Description	Comments
22	M6 x 12 Int. hex	
18	M6 Plain washer	
22	M6 Lock nut	
2	Door holder	
2	M6 x 25	

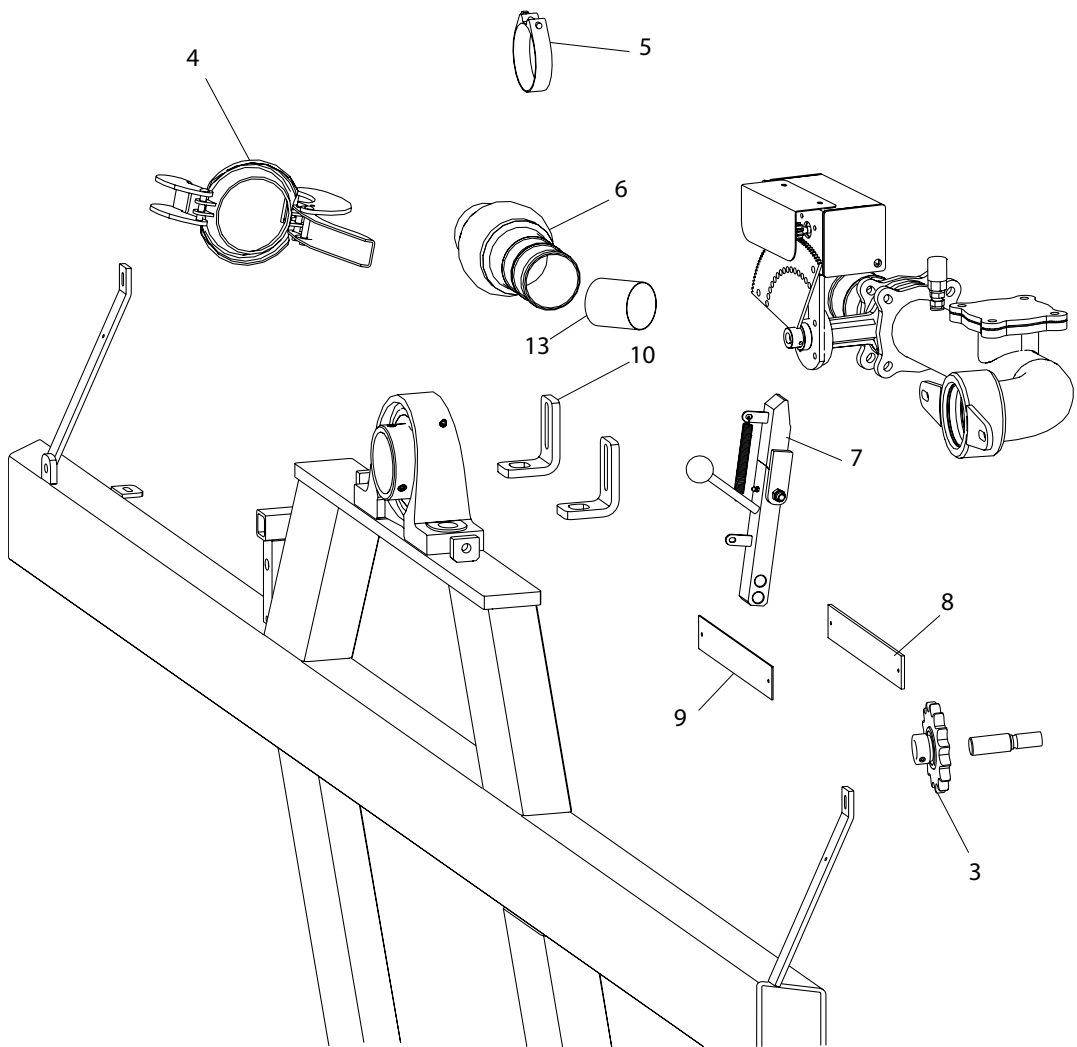
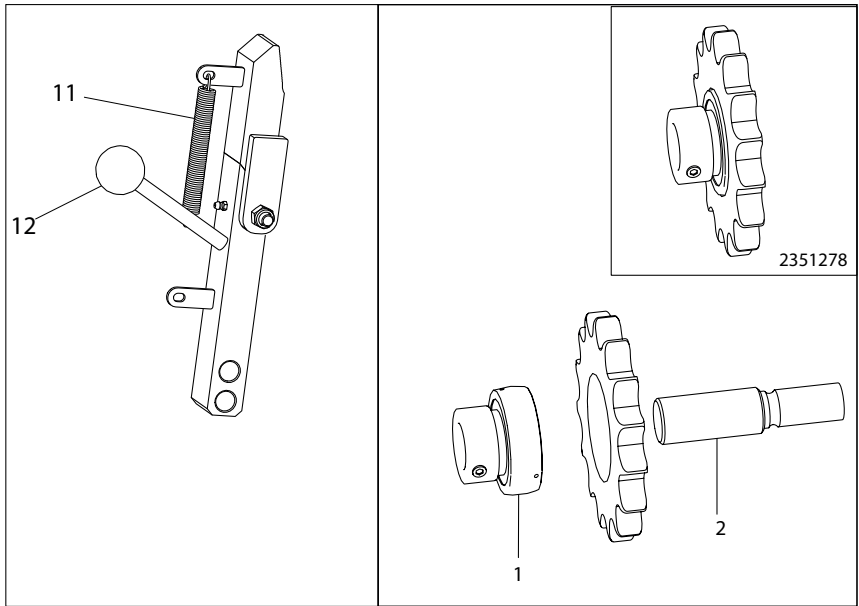
A2

Qty	Description	Comments
20	M6 x 12 Int. hex	
18	M6 Plain washer	
20	M6 Lock nut	
2	Door holder	
2	M6 x 25	

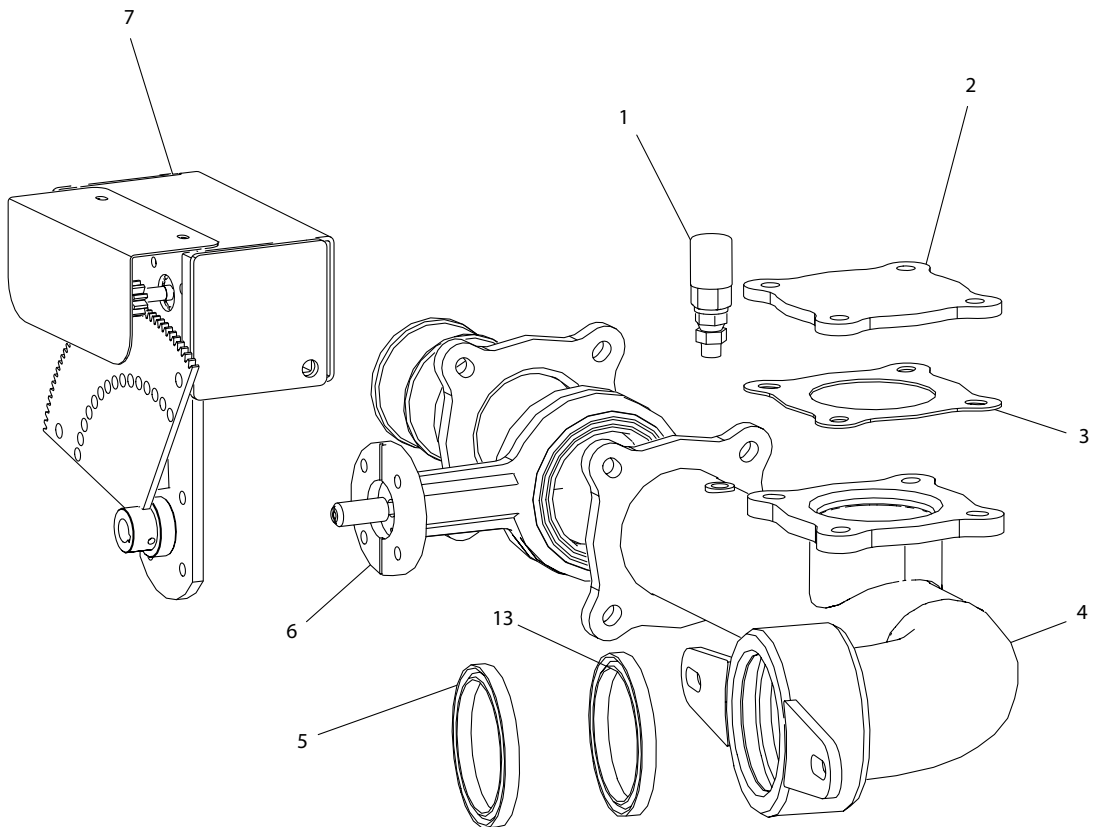
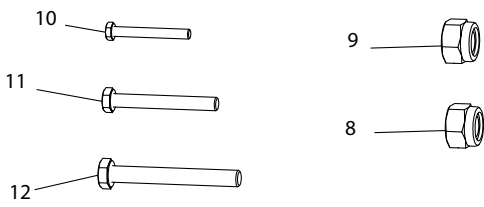
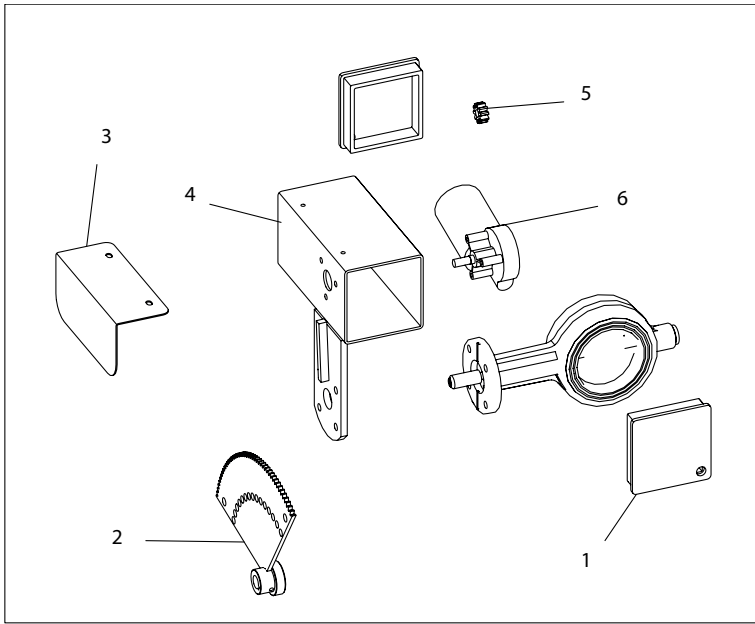
A4



Item no.	Part no.	Qty	Description	Comments
1	2003084	1	Side guard RB	
2	2003092	1	Side guard LF	
3	2002965	1	Side guard RF	
4	2003093	1	Side guard LB	
5	2003091	1	Chain guard R	
6	2003089	1	Chain guard L	
7	2003099	1	Chain guard	
8	2003473	1	Edge profile	
9	2003118	2	Edge profile	
10	2003129-1	2	Left Hinge	
11	2003128-1	2	Right Hinge	
12	2003088	2	Edge profile	
13	2003386	2	Edge profile	
14	2003127-1	4	Hinge	
15	2003121	3	Edge profile	
16	2003119	2	Edge profile	
17	763726	89	M6 x 12 Int. hex	B1
18	050306	72	M6 Plain washer	B1
19	095906	89	M6 Lock nut	B1
20	1327102021	8	Door holder Male	B1
21	022206025	8	M6 x 25	B1
22	761286	2	Lubrication nipple	A1 & A4
23	2003290-1	2	Bracket for centre console	
24	2003243-1	1	Bracket for guard	
25	2003242-1	1	Bracket for protective guard	
26	2002914	1	Frame	
27	2003122	1	Guard L Front	A2
28	2003124	1	Guard R Back	A1
29	2003125	1	Guard R Front	A3
30	2003123	1	Guard L Back	A4



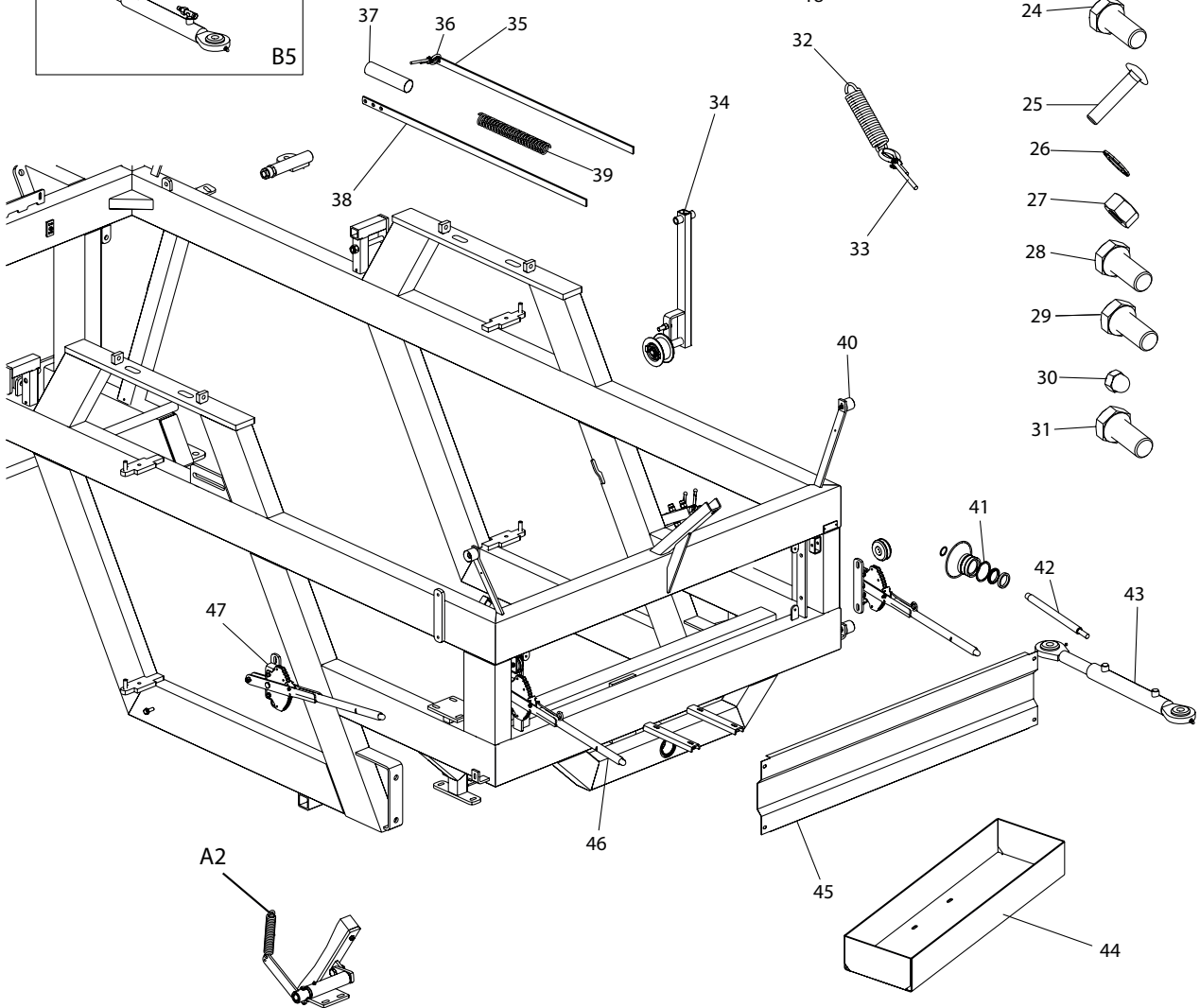
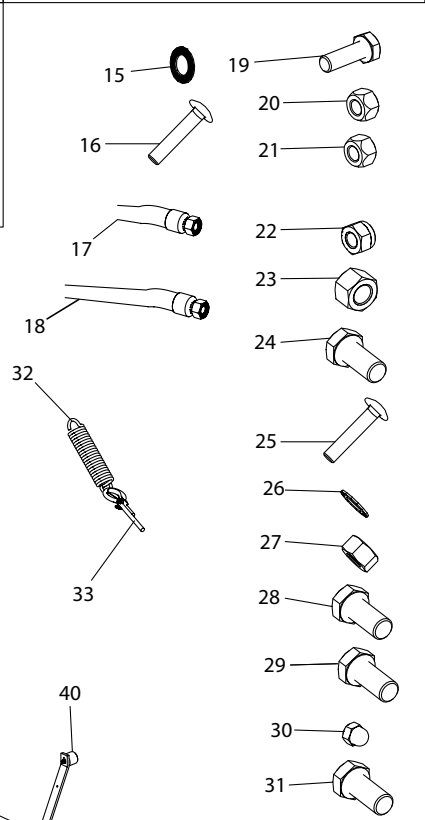
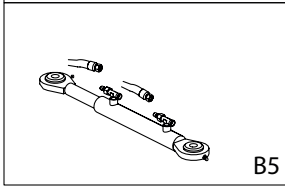
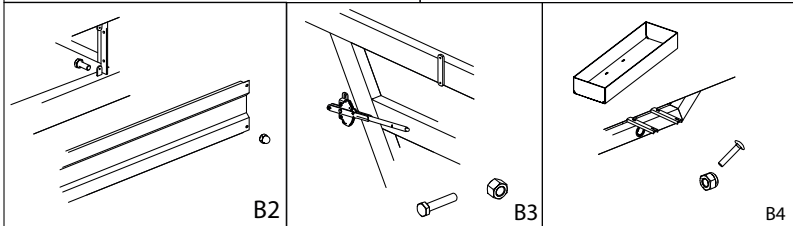
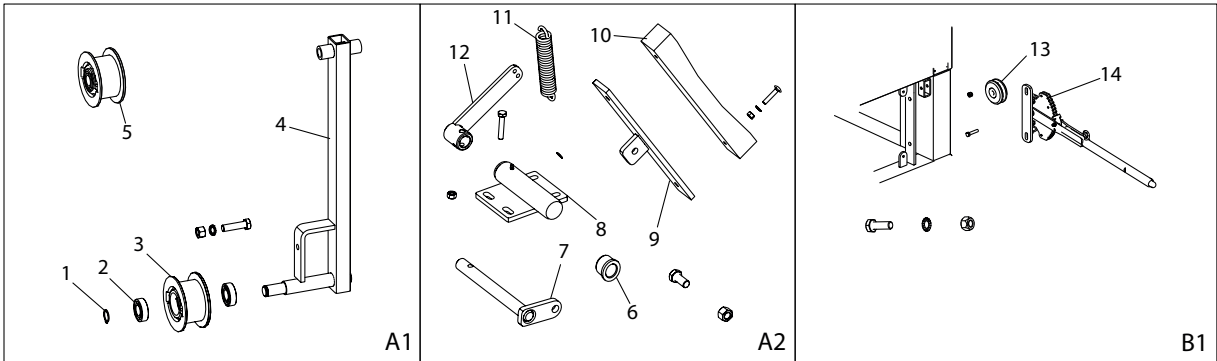
Item no.	Part no.	Qty	Description	Comments
1	761276	1	Bearing	
2	761275	1	Shaft	
3	2351278	1	Sprocket	
4	14050013	1	Locking ring	
5	16200726	2	Hose clamp	
6	1009290	1	HK ball with hose connector	
7	1008260	1	Locking pawl	
8	1007760	2	Slide plate 5 mm	
9	1008378	2	Slide plate 2mm	
10	2001491	2	Angle bracket	
11	570114	1	Drawbar spring	
12	763300	1	Ball lever	
13	16050210	1	Soft hose no. per running metre	930 mm



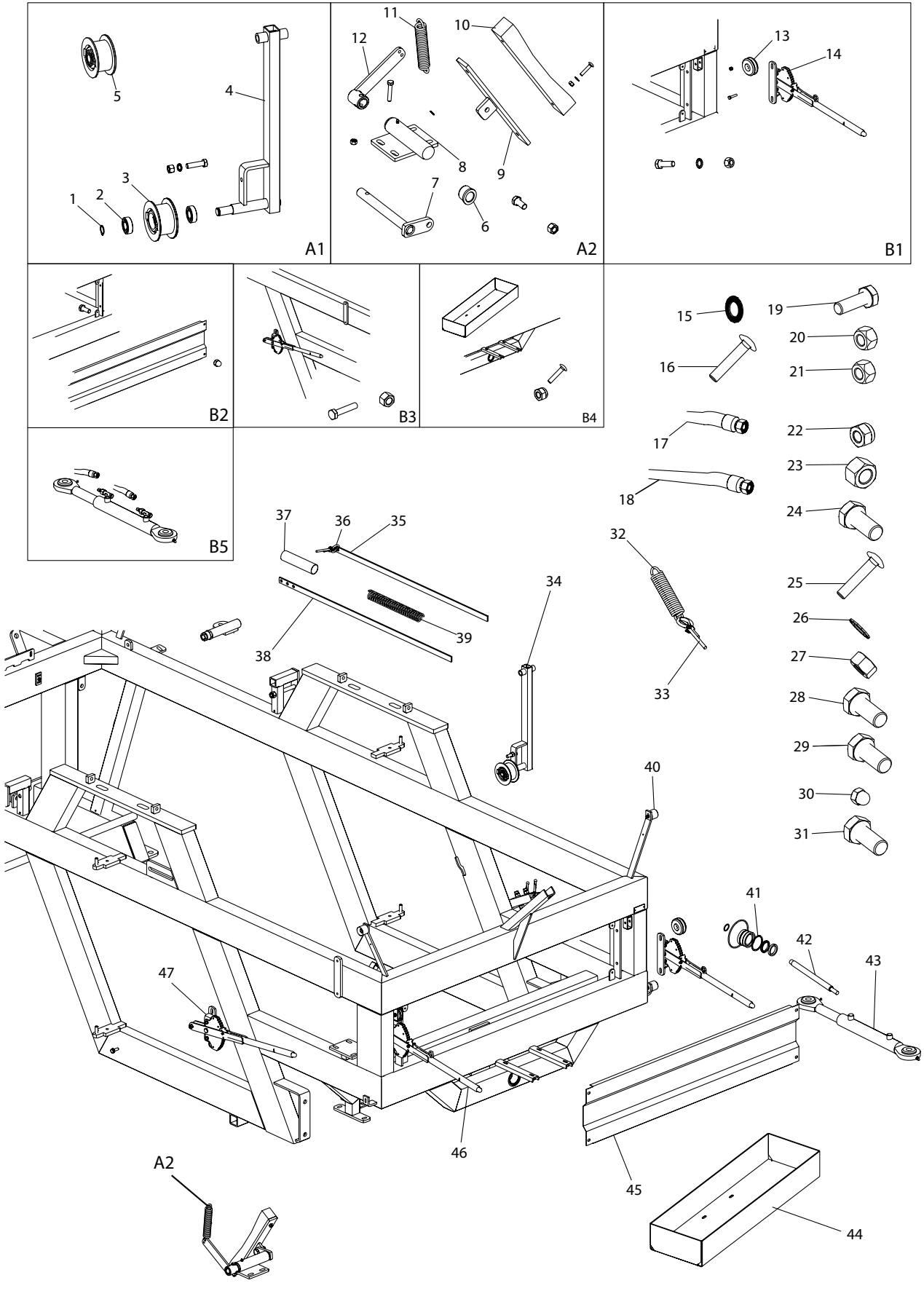
Item no.	Part no.	Qty	Description	Comments
1	1007545	1	Pressostat	
2	1007098	1	Blind flange	
3	631112	1	Flange gasket	
4	1009295	1	Head with pipe and flange	
5	1001095	1	Sealing ring	
6	1007250	1	Butterfly valve	
7	1007230	1	Comp motor valve	
8	044008	4	M8 Lock nut	
9	044010	8	M10 Lock nut	
10	021008035	4	M8 x 35 Steel bolt	
11	022210040	4	M10 x 40 Steel set bolt	
12	021010085	4	M10 x 85 Steel bolt	
13	1102138	1	Sealing ring	

Parts list 1007230

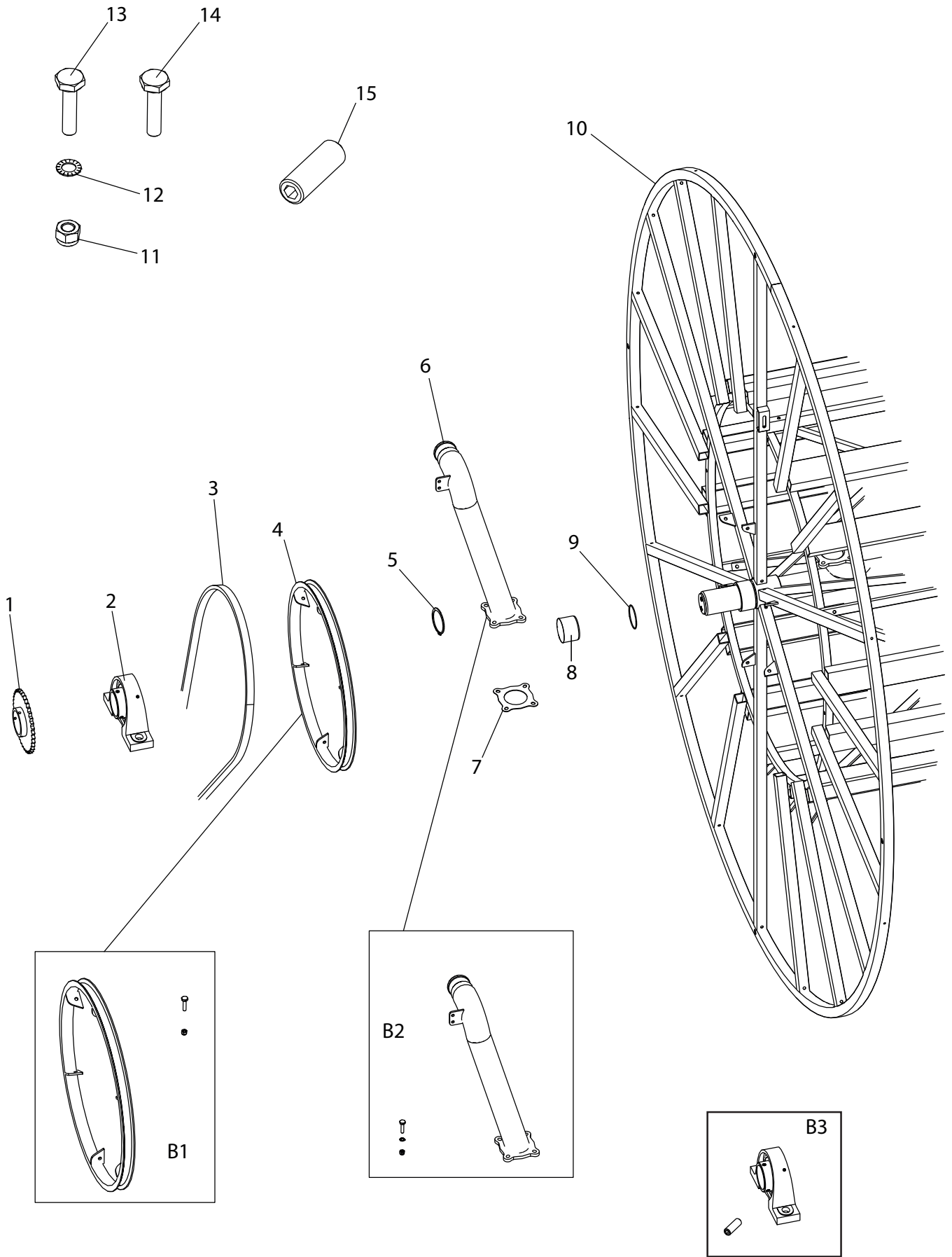
Item no.	Part no.	Qty	Description	Comments
1	1007175	2	End plug	
2	1007195	1	Gear for valve	
3	1007185	1	Guard for motor valve	
4	1007171	1	Motor housing	
5	1007190	1	Gear for motor	
6	1007180	1	Motor	



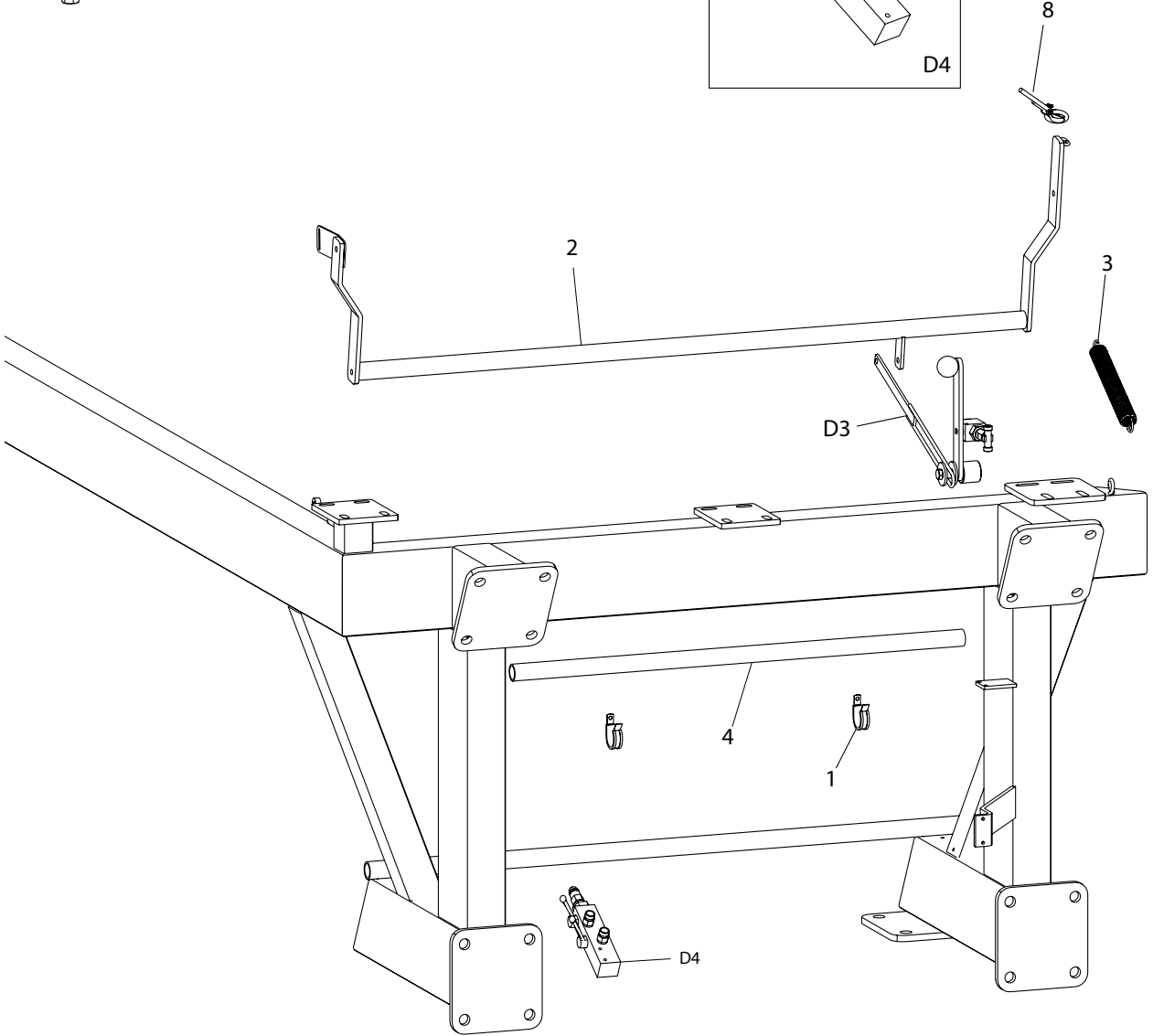
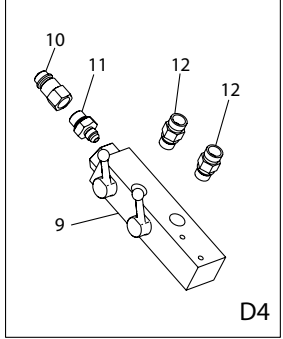
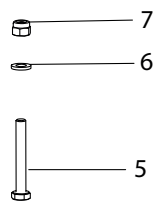
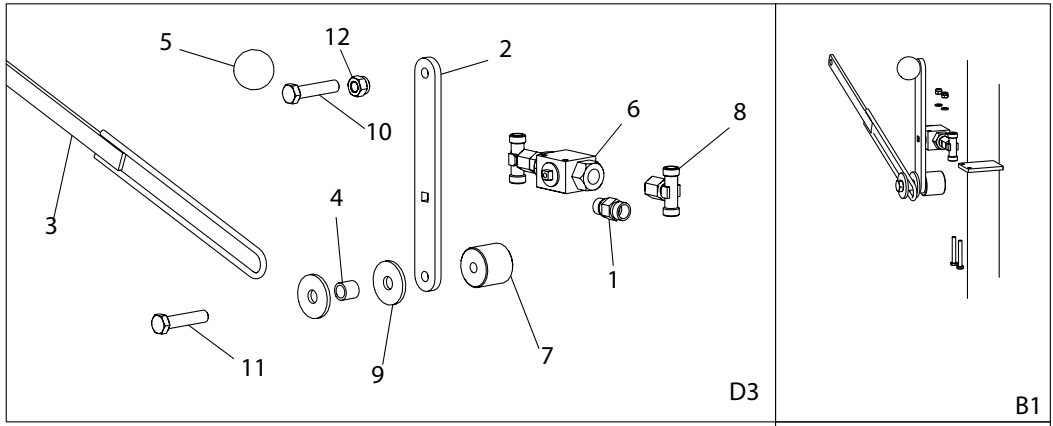
Item no.	Part no.	Qty	Description	Comments
1	700020	1	Retaining ring	A1
2	761105-1	2	Bearing	
3	761106	1	Tension roller	
4	2006492	1	Belt tensioner arm	
5	761106-1	1	Tension rollers with bearings	
6	1009337	2	Bushing	
7	1008355	1	Shaft	
8	1009335	1	Pipe for bushings	
9	902119	1	Brake shoe	
10	902120	1	Brake block	
11	761110	1	Spring	
12	1009275	1	Arm for brake	
13	761015-15	3	Cable roller loose	
14	1009279	1	Belt tensioner lever L	
15	050312	2	M12 Plain washer	A1
16	763720	4	M8 x 25 Carriage bolt	B4
17	1008610	1	Hyd. hose 400 mm	B5
18	1007515	1	Hyd. hose 750 mm	B5
19	022212045	1	M12 x 45 Steel set bolt	A1
20	044008	6	M8 Lock nut	B1 & B4



21	040412	1	M12 Steel nut	A1
22	044010	1	M10 Lock nut	A2
23	040408	2	M8 Steel nut	A2
24	021010055	1	M10 x 55 Steel bolt	A2
25	763620	2	M8 x 40 Carriage bolt	A2
26	763908	2	M8 Riplock	A2
27	040416	1	M16 Steel nut	A2
28	022216035	1	M16 x 35 Steel set bolt	A2
29	022208040	2	M8 x 40 Steel set bolt	B3 & B1
30	763930	4	M8 Cap nut	B2
31	022208020	4	M8 x 20 Steel set bolt	B2
32	1008203	1	Drawbar spring	
33	1007803	1	Cable Ø5 x 3200mm	
34	2006635	2	Comp Belt tensioner arm	
35	1007754-1	2	Flat steel for drawbar	
36	1007806	2	Cable Ø5 x 1020mm	
37	1007752	2	Spacer pipe for belt tensioner	
38	1007756-1	2	Rod for belt tensioner	
39	1007750	2	Compression spring	
40	1327102020	8	Door holder Female	
41	1008585-1	1	Gasket set for cylinder	
42	1008585-2	1	Piston rod for cylinder	
43	1008585	1	Front steering cylinder	
44	1009341	1	Toolbox	
45	2006221	1	Front guard	
46	1009277	1	Belt tensioner lever R	
47	761113	1	Coupling lever	



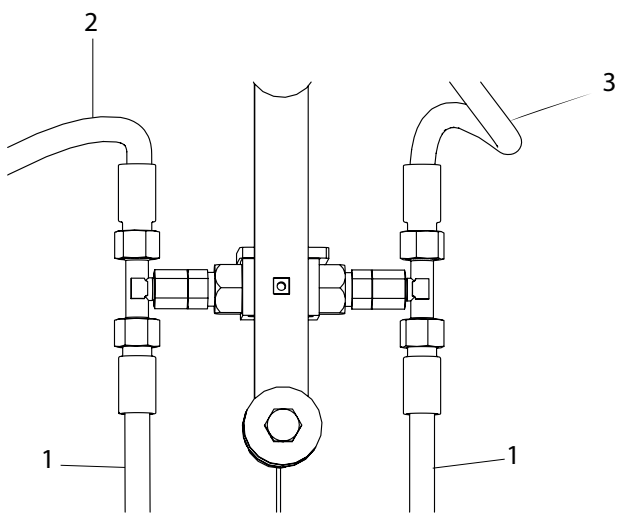
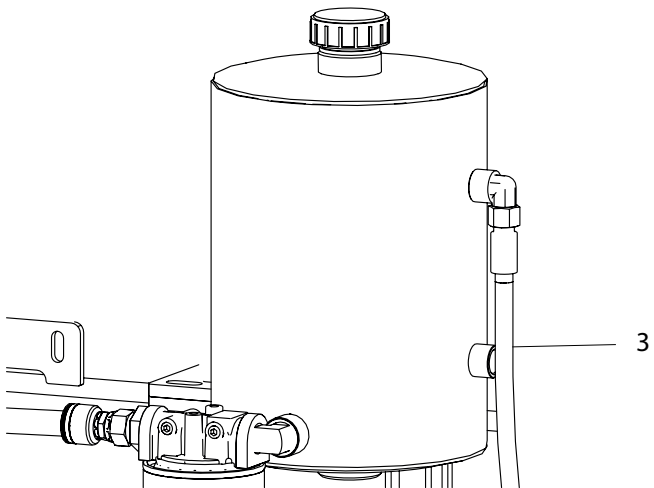
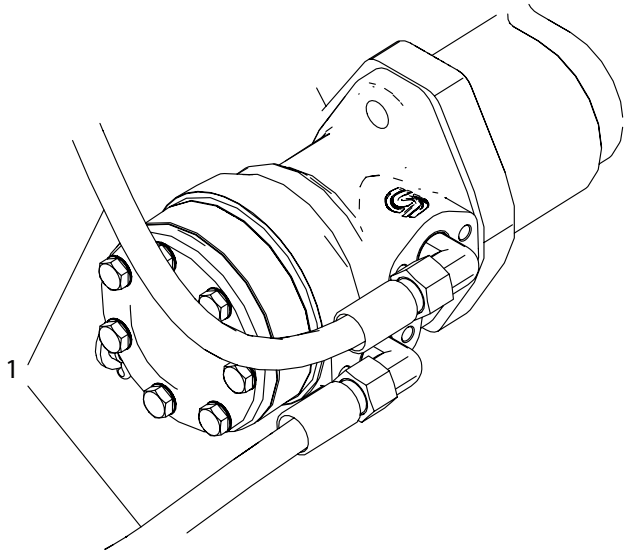
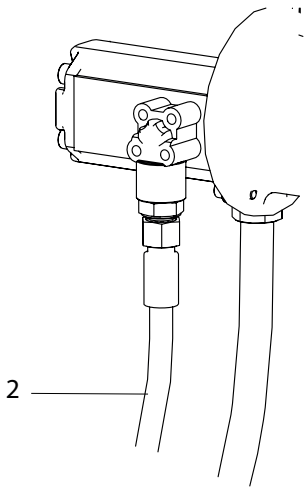
Item no.	Part no.	Qty	Description	Comments
1	1008060	1	Sprocket	
2	1001098	2	Pillow block complete UCP 218	
3	1761123	2	Belt for drum	
4	1001083	2	Pulley for drum	
5	1007930	1	Retaining ring Ø90 mm ext.	
6	2003334	1	Inlet pipe	
7	631112	1	Flange gasket	
8	1001270	1	Stainless bushing	
9	1007935	1	O-ring under stainless bushing	
10	2002945	1	Hose drum FM4400	
11	044010	18	10 mm Lock nut	B1 & B2
12	763910	12	Riplock 10	B2
13	021010045	6	10 x 45 mm Steel bolt	B2
14	022210025	12	10 x 25 mm Steel bolt	B1
15	0716160161	2	Stop screw with crater	B3



Parts list D3

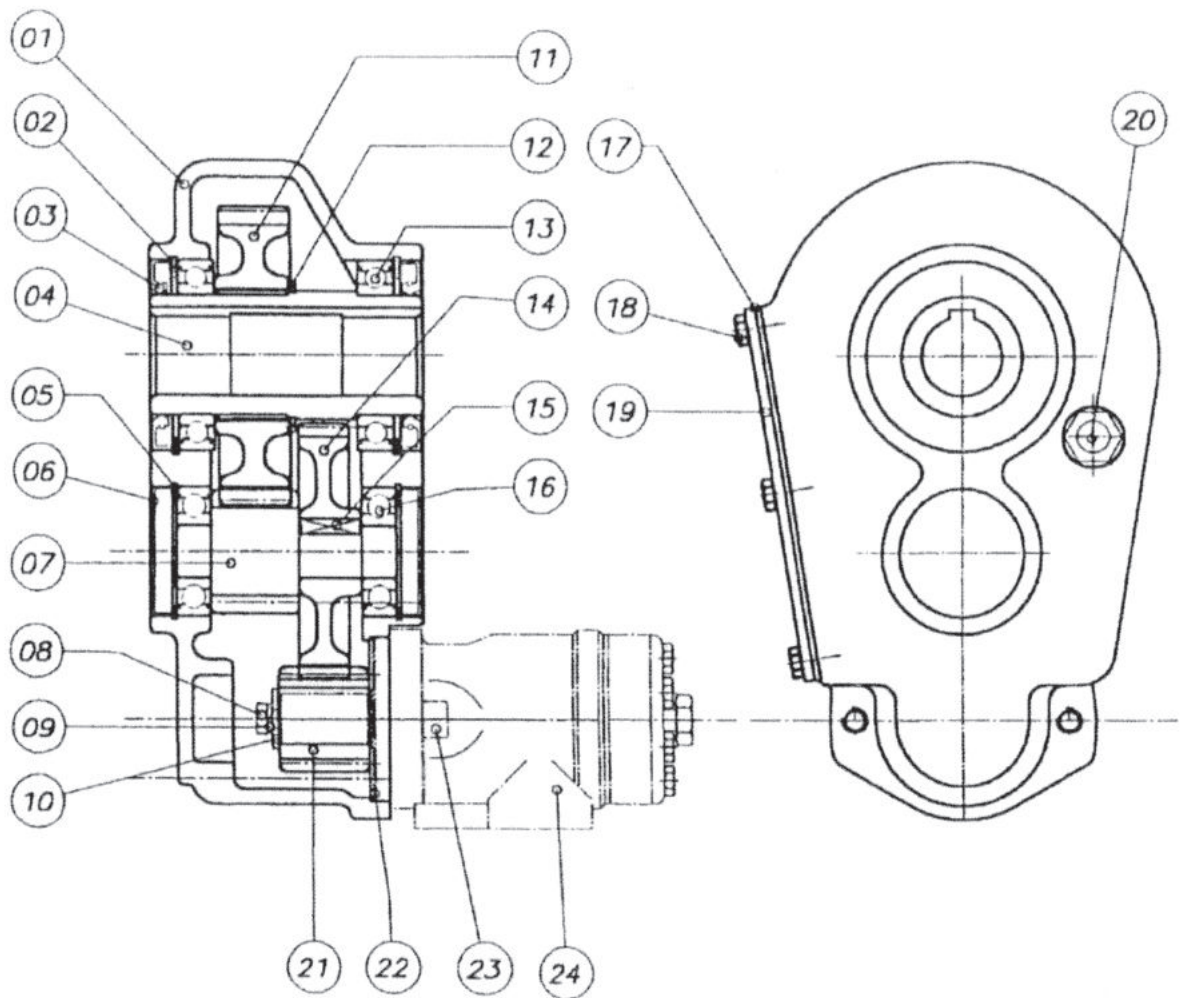
Item no.	Part no.	Qty	Description	Comments
1	1007724	2	Nipple	
2	1008335-1	1	Lever for ball valve	
3	1009260	1	Stop bar	
4	109101	1	Spacer	
5	763300	1	Ball lever	
6	1007510	1	Ball valve	
7	1007511	1	Wheel chock	
8	1007518	2	Tee	
9	05401250	2	M12 Round washer	
10	022212035	1	M12 x 35 Steel set bolt	
11	022212055	1	M12 x 55 Steel set bolt	
12	040412	2	M12 Steel nut	

Item no.	Part no.	Qty	Description	Comments
1	1007770	1	Pipe bracket	
2	2006901	1	Miswinder	
3	1001011	1	Spring	
4	1009660	1	Plastic pipe for cables	
5	022206045	2	M6 x 45 Steel set bolt	B1
6	051006	2	M6 Plain washer	B1
7	044006	2	M6 Lock nut	B1
8	1007812	1	Cable Ø5 x 7700 mm	
9	1010755	1	2-way ball valve	
10	801710	1	Oil coupling	
11	1007538	1	Nipple Collar nipple	
12	1007724	2	Nipple	

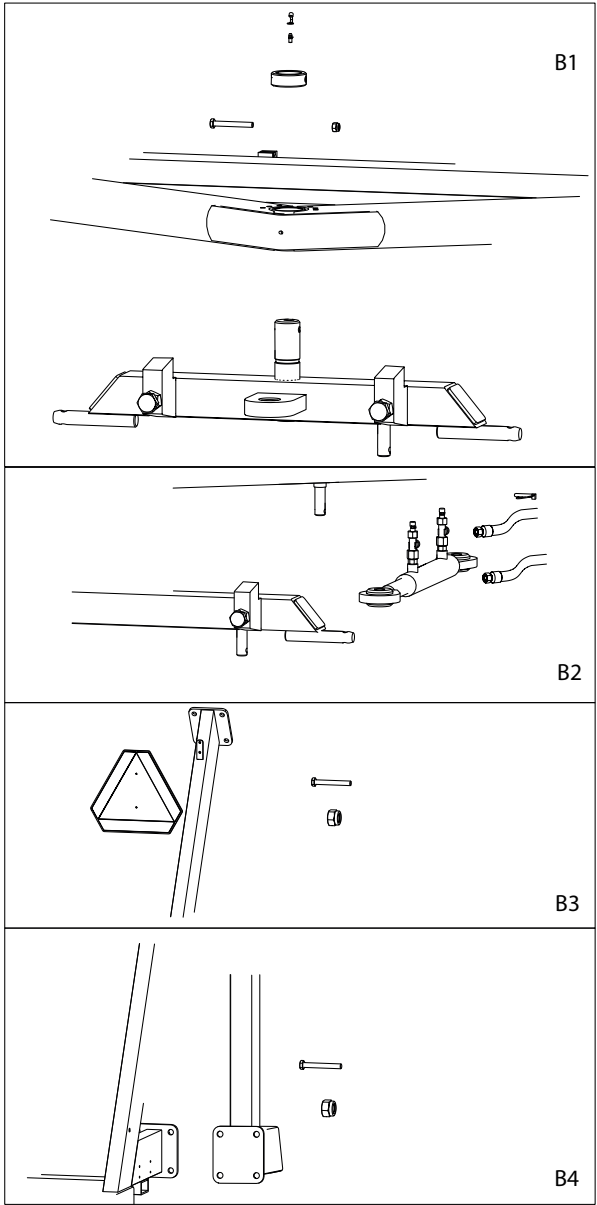


Item no.	Part no.	Qty	Description	Comments
1	1008601	2	Hose 3/8 x 1600 mm	
2	1008609	1	Hose 3/8 x 1200 mm	
3	1008612	1	Hose 3/8 x 600 mm	

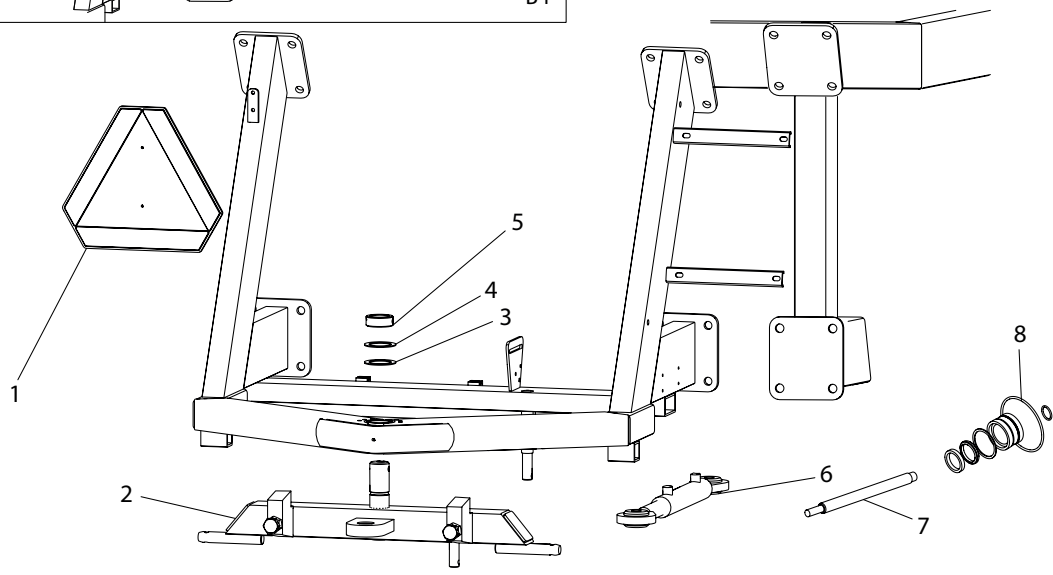
FLADGEAR



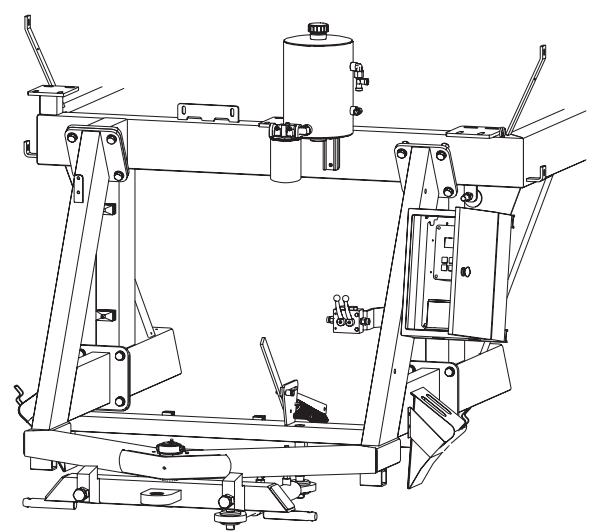
Item no.	Part no.	Qty	Description	Comments
1	1009500	1	Gear Comp	
2	1009504	1	Retaining ring 95 mm	
3	1009505	1	Sealing ring Ø60/95x10	
4	1009506	1	Hollow shaft Ø40	
5	1009507	1	Retaining ring 62mm	
6	1009508	1	Cover Ø62	
7	1009509	1	Shaft/Gear	
8	1009510	1	Bolt with int. Hex M8 x 20	
9	1009511	1	Washer	
10	1009512	1	Spring washer	
11	1009513	1	Gear	
12	1009514	1	Retaining ring 65mm	
13	1009515	1	Bearing	
14	1009516	1	Gear	
15	1009517	1	Spring	8 x 7 x 30
16	1009518	1	Bearing	6305
17	1009519	1	Flange gasket	
18	1009520	1	M8 x 16 mm	
19	1009521	1	Cover	
20	1009522	1	Sight glass	1/2
21	1009523	1	Gear	
22	1009524	1	Gasket	
23	1009529	1	Int. hex M12 x 35	
24	1007440	1	Oil motor	



- 9
- 10
- 11
- 12
- 13
- 14
- 15
- 16
- 17
- 18

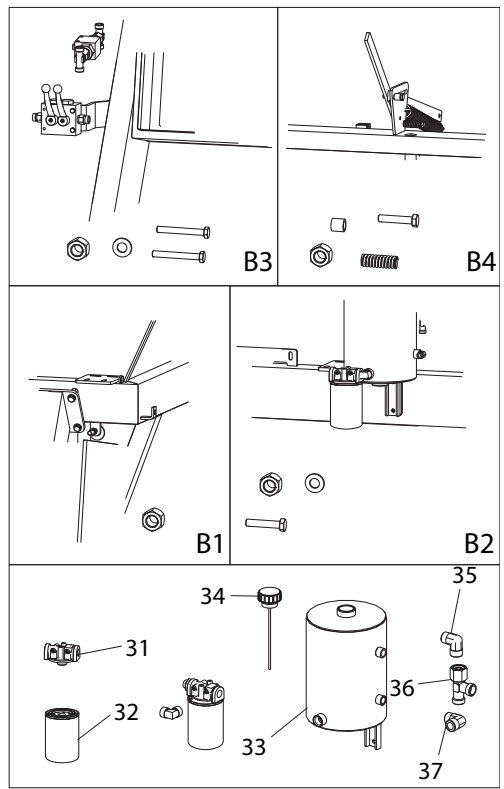


Item no.	Part no.	Qty	Description	Comments
1	1008966	1	Warning triangle	
2	1008250	1	Rear drawbar comp	
3	895630	7	Support ring	
4	1008198	7	Spacer washer	
5	1008195	1	Stop ring	
6	1008585	1	Cylinder for forced steering	
7	1008585-2	1	Piston rod for cylinder	
8	1008585-1	1	Gasket set for cylinder	
9	022210080	1	M10 x 80 Steel set bolt	B1
10	761286-2	1	Lubrication cap	B1
11	761286	1	Lubrication nipple	B1
12	044010	1	M10 Lock nut	B1
13	763642	1	Tractor split pin	B2
14	022216045	16	M16 x 45 Steel set bolt	B4
15	044008	2	M8 Lock nut	B3
16	022208016	2	M8 x 16 Steel set bolt	B3
17	040416	16	M16 Lock nut	B4
18	1008614	2	Hyd. Hose for forced steering	B2 the same

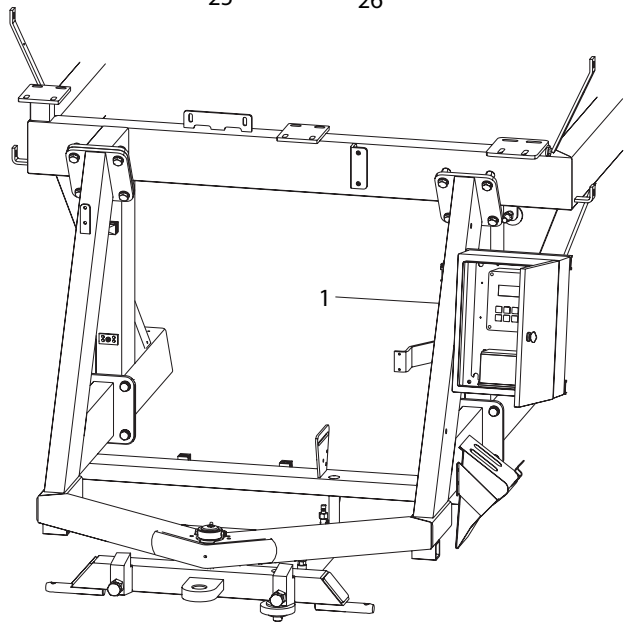


- 19
- 18
- 17
- 16
- 15
- 14
- 13
- 20
- 21
- 22
- 23
- 24

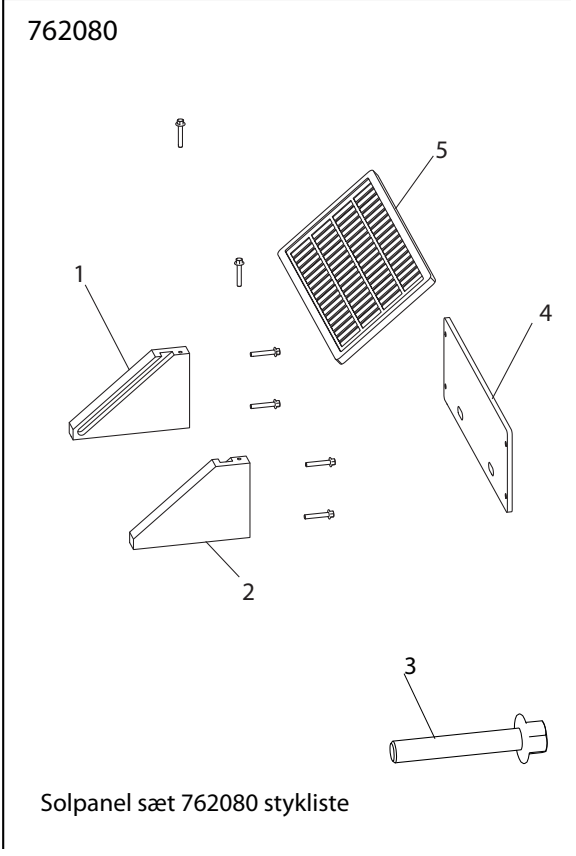
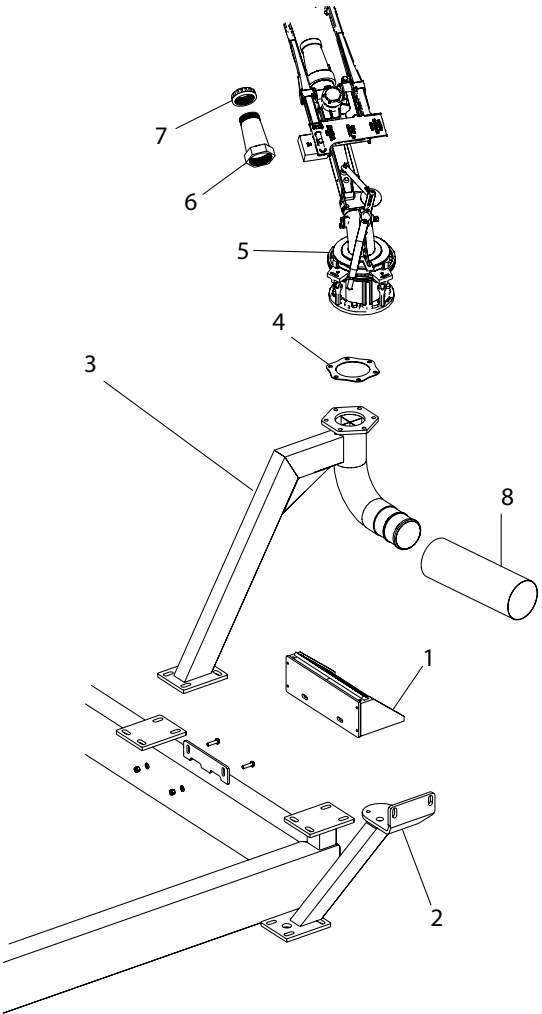
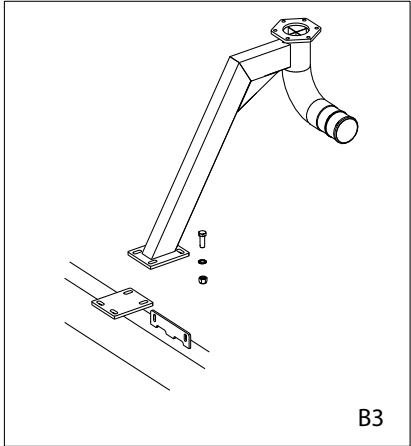
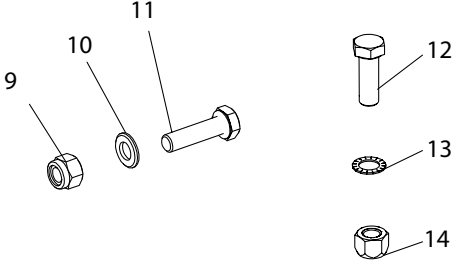
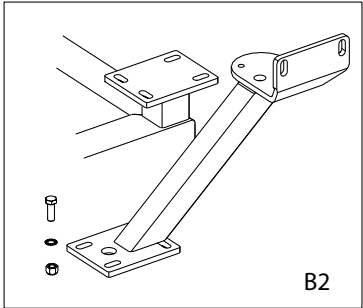
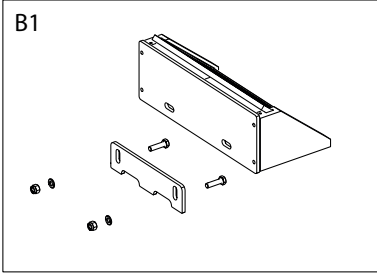
- 10
- 12
- 5
- 8
- 9
- 4
- 11
- 7
- 6
- 3
- 2



- 29
- 30
- 25
- 26
- 27
- 28
- 31
- 32
- 33
- 34
- 35
- 36
- 37



Item no.	Part no.	Qty	Description	Comments
1	1009150	1	Rear drawbar	
2	1011011	1	Drawbar spring	
3	2006359-1	1	Release arm	
4	68006	1	Rubber grip	
5	1009250	1	Lever for decoupling	
6	1005805	2	Holder for stop wedge	
7	1005800	2	Stop wedge	
8	1007540	2	Angle Cyl	
9	1010750	1	Ball valve for Dual pump	
10	1009350	2	Stop bolt for miswinding bar	
11	1007514	2	Hose carrier	
12	1007510	1	Ball valve for decoupling	
13	051006	4	M6 Plain washer	B3
14	022206045	2	M6 x 45 Steel set bolt	B3
15	022210030	2	M10 x 30 Steel set bolt	B2
16	1009252	1	Compression spring for coupling	
17	022210080	1	M10 x 80 Steel set bolt	B4
18	022206055	2	M6 x 55 Steel set bolt	B3
19	109101	1	Spacer for switch	
20	1008198	2	Spacer washer for Rear drawbar	
21	763910	4	M10 Riplock	B2
22	044006	4	M6 Lock nut	B3
23	040410	3	M10 Steel nut	B4 & B2
24	040416	2	M16 Steel nut	B1
25	1007590	1	Plate for battery	
26	1005521	1	Battery	
27	1007578	1	Electric box	
28	1007584	1	Lock for box	
29	1007549-1	1	Exchanger Prog Rain	
30	1007549-7	1	Prog. Rain.	
31	1007484	1	Filter housing	
32	1007482	1	Hydraulic filter	
33	1007490	1	Tank	
34	1007500	1	Tank Cover	
35	1007536	1	Angle	
36	1007526	1	Nipple	
37	1007540	1	Angle	

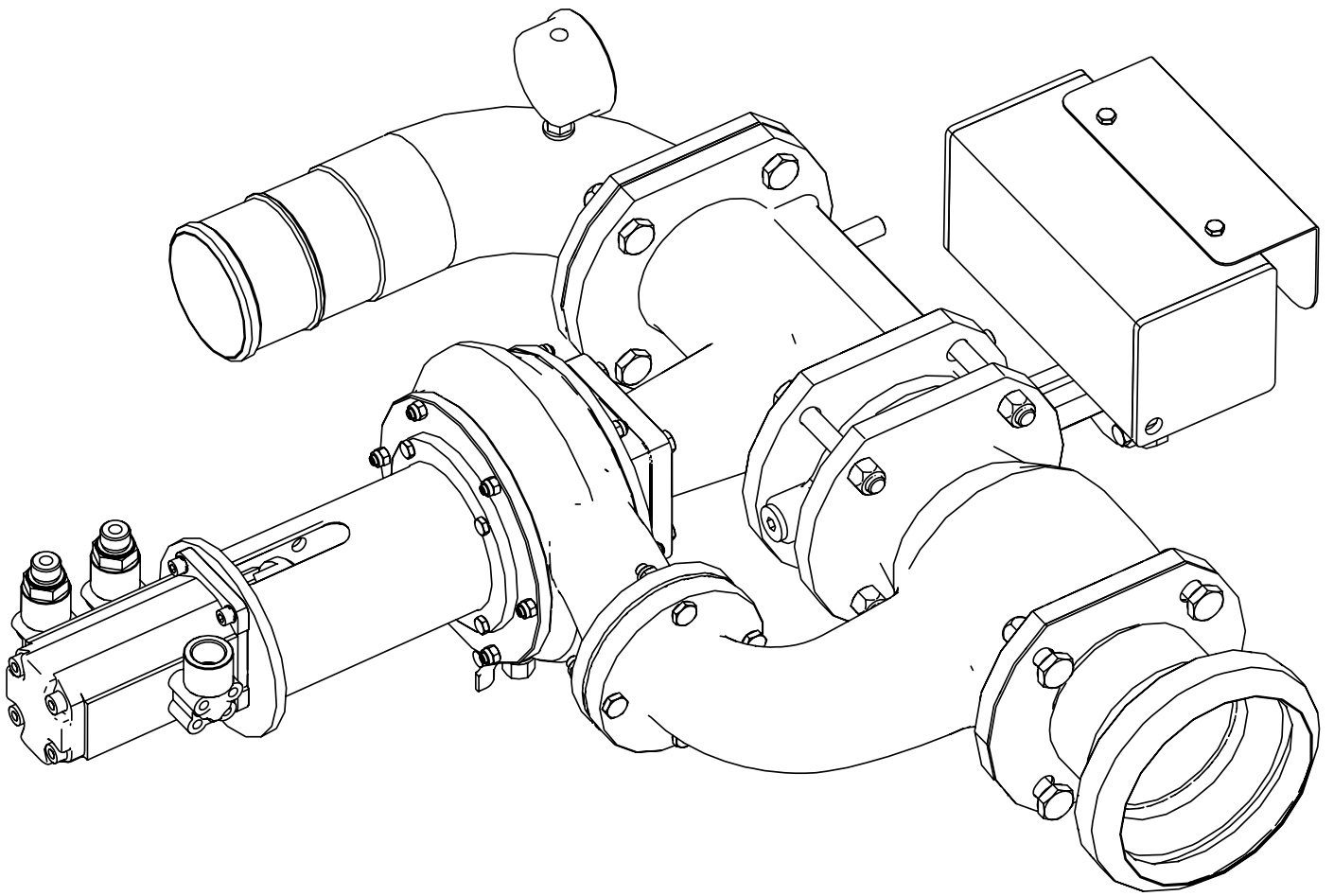


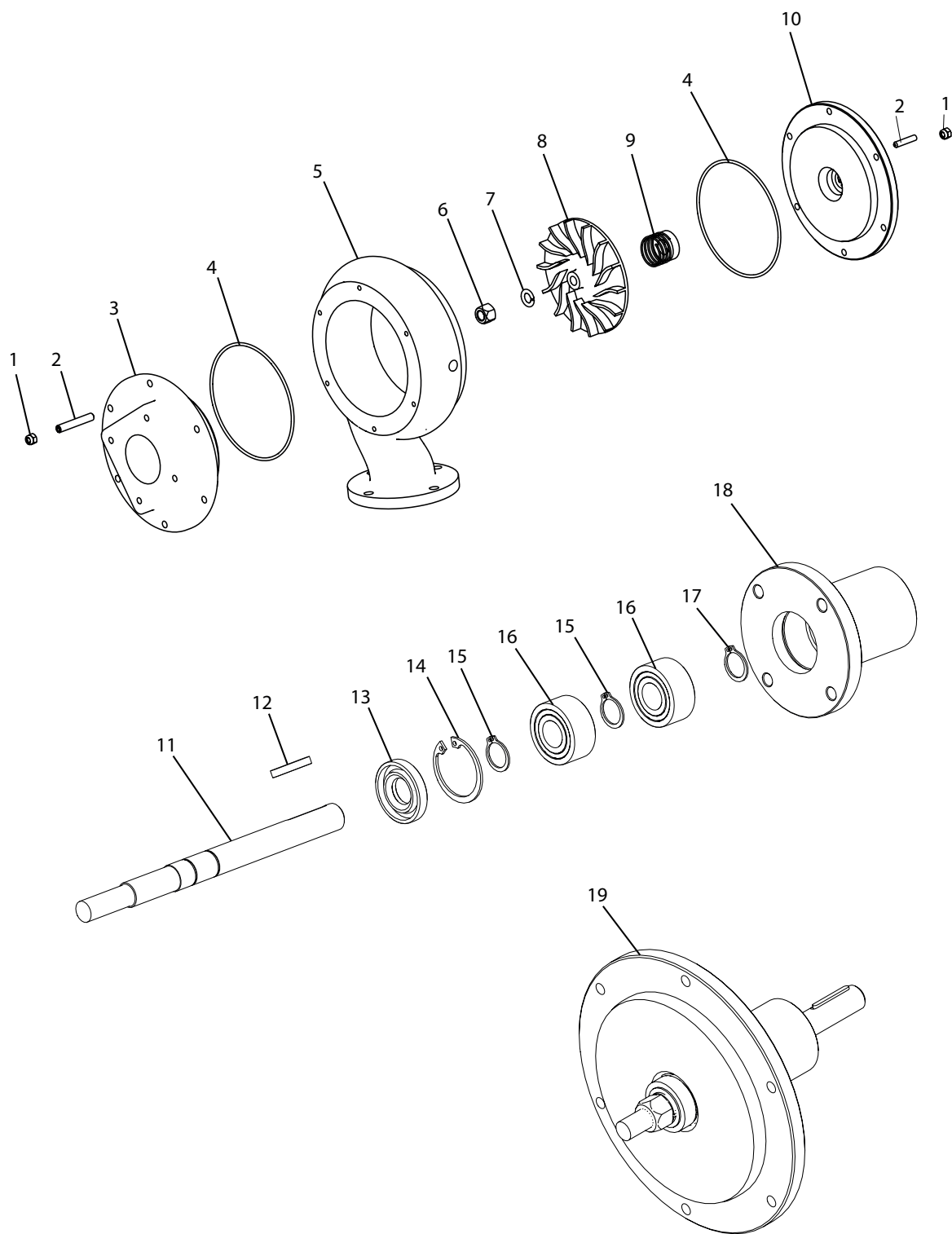
Solpanel sæt 762080 stykliste

Item no.	Part no.	Qty	Description	Comments
1	762080	1	Solar panel set	
2	1009120	1	Suspension for turbine	
3	1007655	1	Gun pipe with 90° bend	
4	761614	1	Flange gasket Gun	
5	770145		Gun	
6	7712781		150TR Plastic body	
7	7712467		150TR Plastic cap	
8	16050210	1	Soft hose no. per running metre	530 mm
9	044008	2	M8 Lock nut	B1
10	050308	2	M8 Plain washer	B1
11	021008030	2	M8 x 30 Steel bolt	B1
12	022212035	8	M12 x 35 Steel bolt	B2 & B3
13	763912	16	Riplock M12	B2 & B3
14	040412	8	M12 Steel nut	B2 & B3

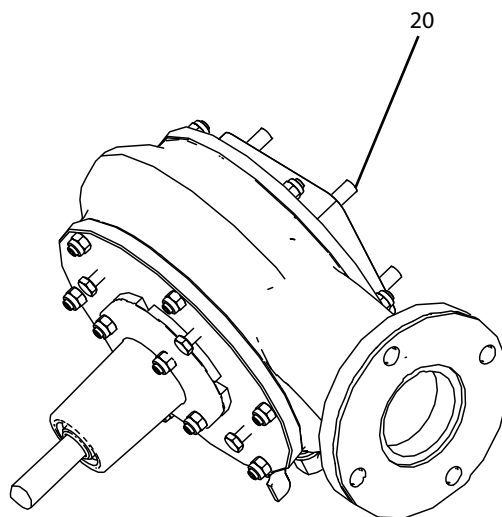
Parts list 762080 Solar panel

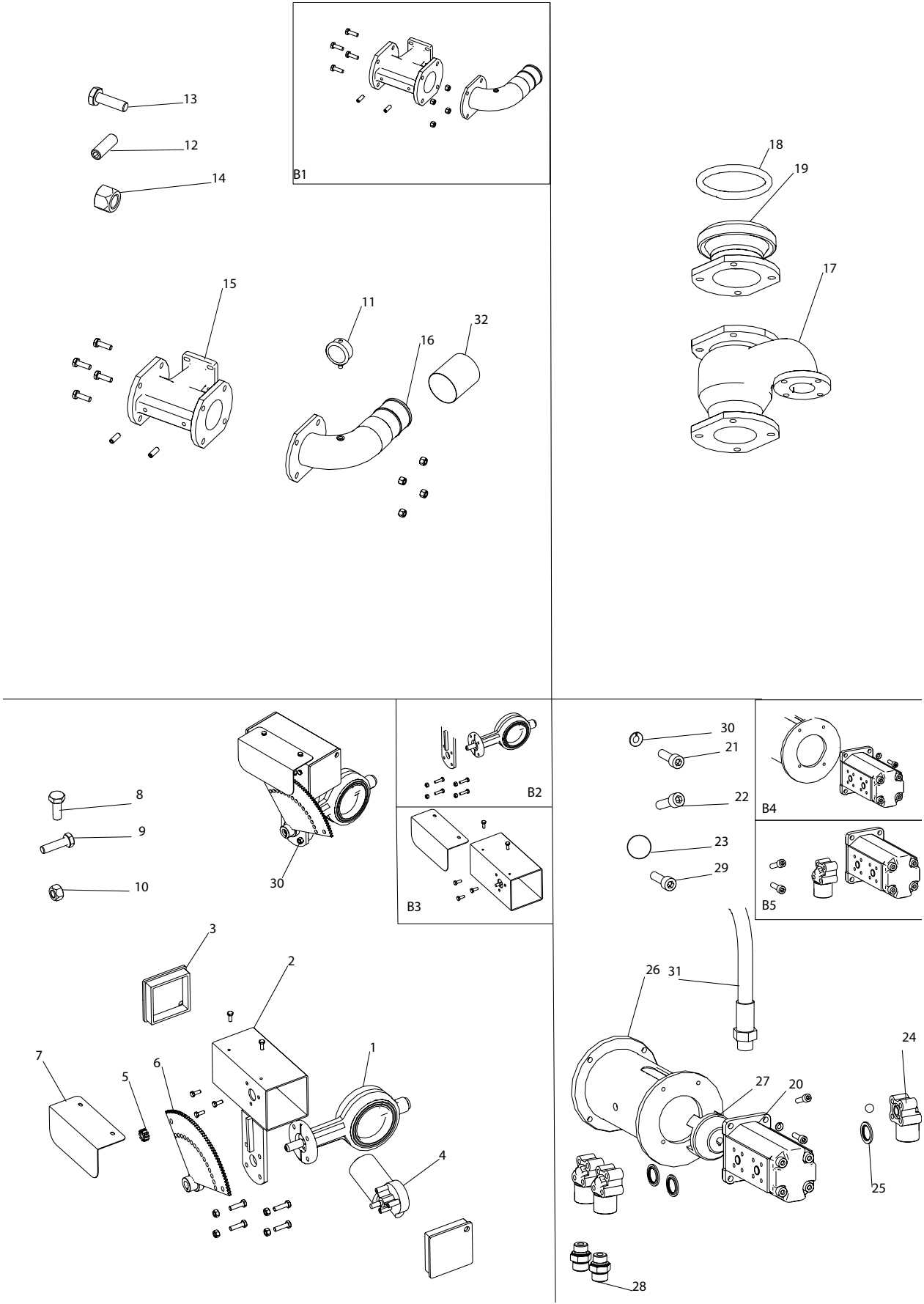
Item no.	Part no.	Qty	Description	Comments
1	2001259	1	Holder for solar cell L	
2	2001260	1	Holder for solar cell R	
3	510555	1	Ø4.8 x 32 SuperTEKS 6	
4	2002533	1	Galvanized plate for solar panel	
5	1005523	1	Solar panel for constant	



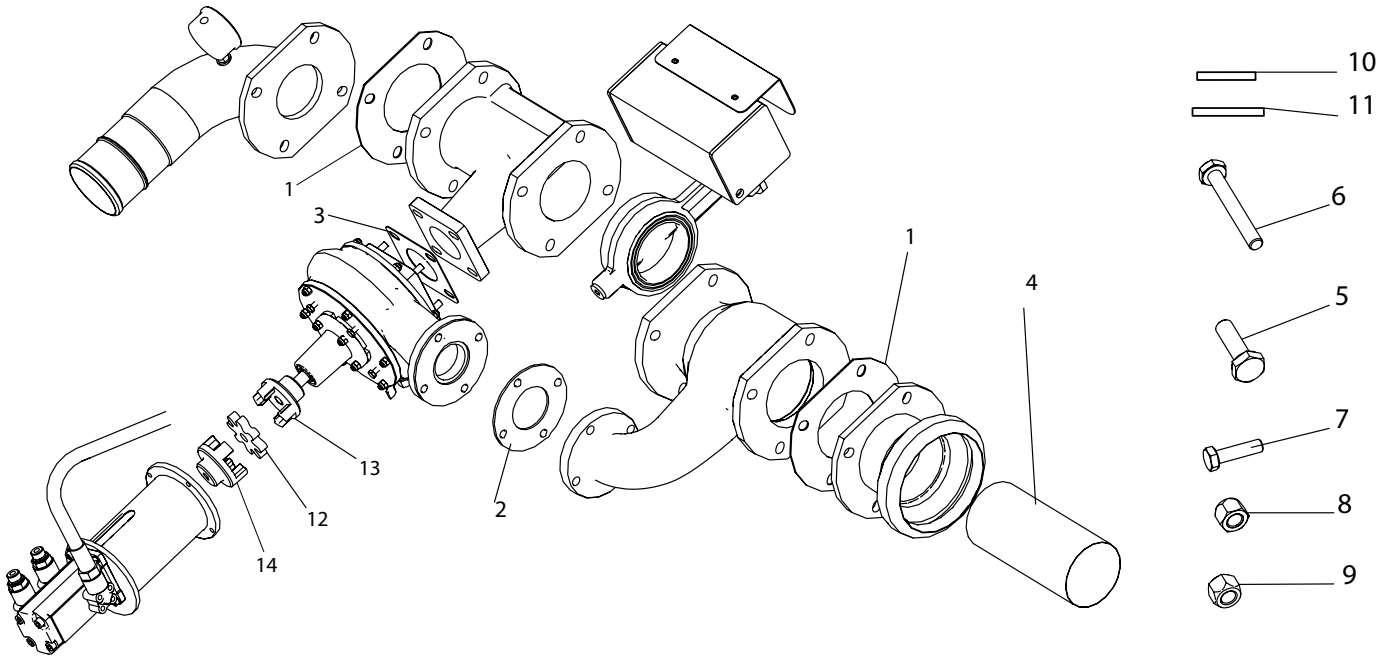
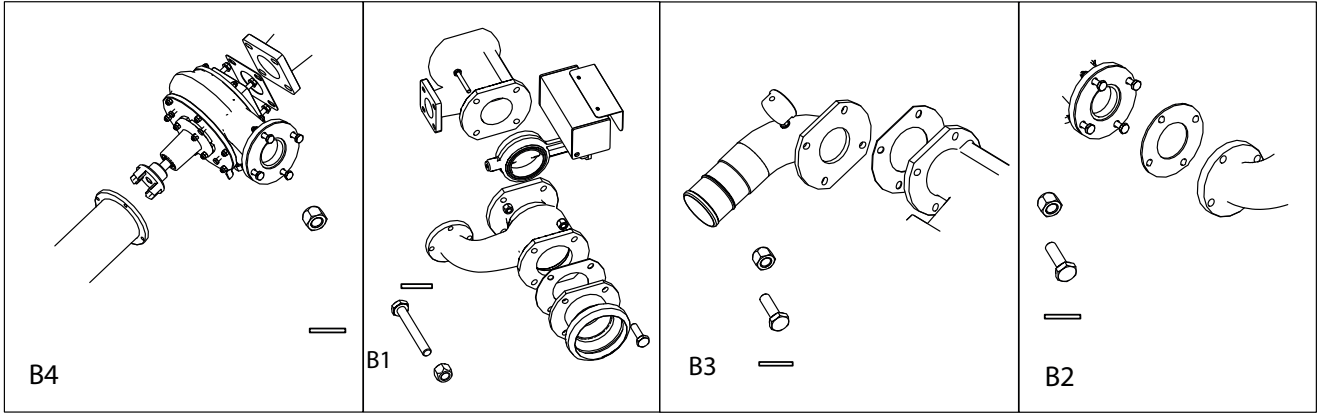


Item no.	Part no.	Qty	Description	Comments
1	095906	16	M6 Lock nut	
2	096506029	16	M6 x 29 Support bolt Pinol	
3	13000086	1	Upper flange turbine for top pipe	
4	195211	2	O-ring Cover seal	
5	195001	1	Turbine housing	
6	096012	1	M12 Nut	
7	096112	1	M12 Spring washer	
8	195031	1	Impeller	
9	P195201	1	Shaft seal for turbine	
10	195018	1	Packing block cover 20/50	
11	195036	1	Shaft	
12	195255	1	Spring	4 x 4 x 29
13	195050	1	Sealing ring	
14	701035	1	Retaining ring Int.	
15	700015	2	Retaining ring Ext.	
16	195220	2	Front bearing	
17	571115	1	Clamping ring	
18	195013	1	Bearing housing	
19	195500	1	Turbine cover complete	
20	195000V	1	Complete turbine	

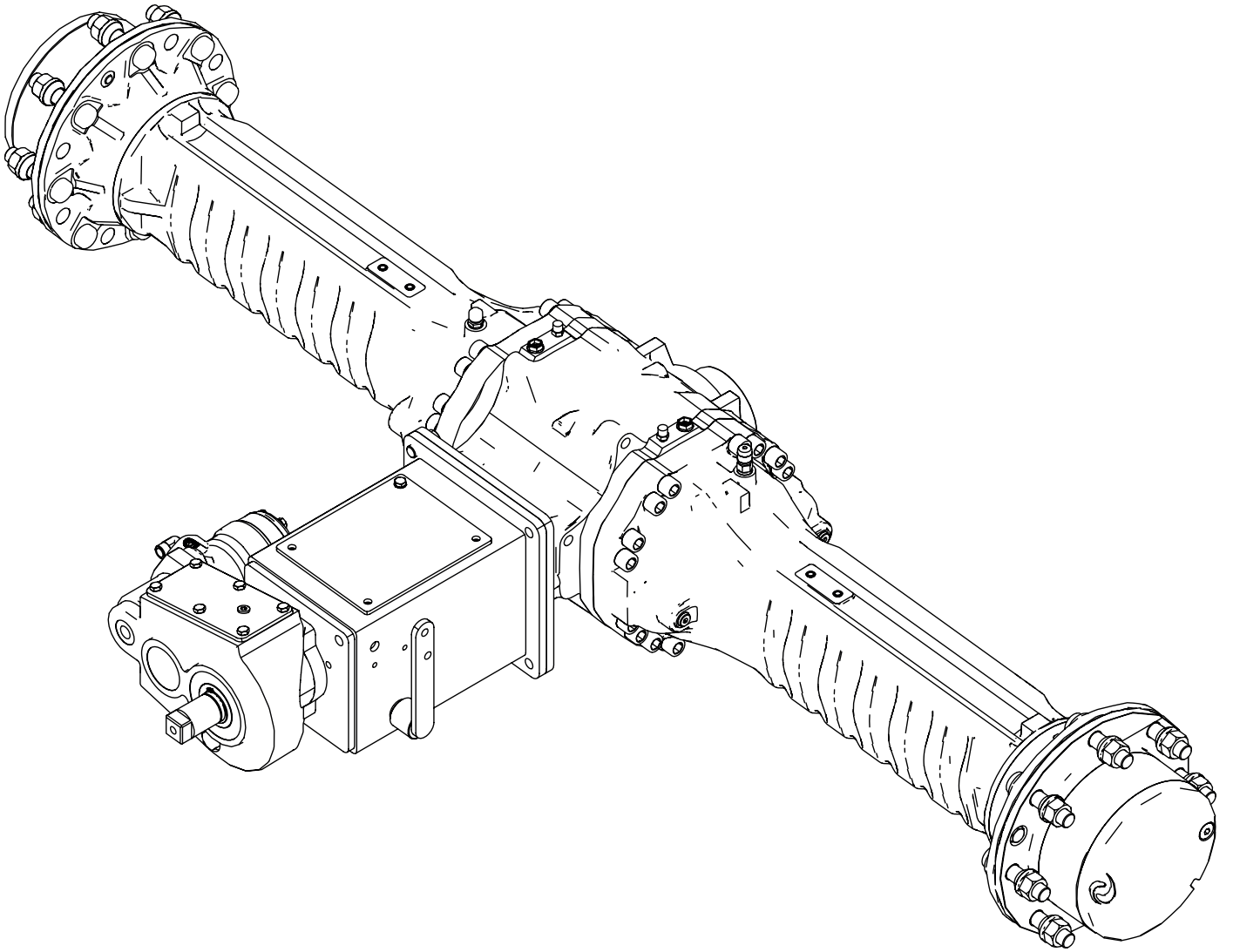


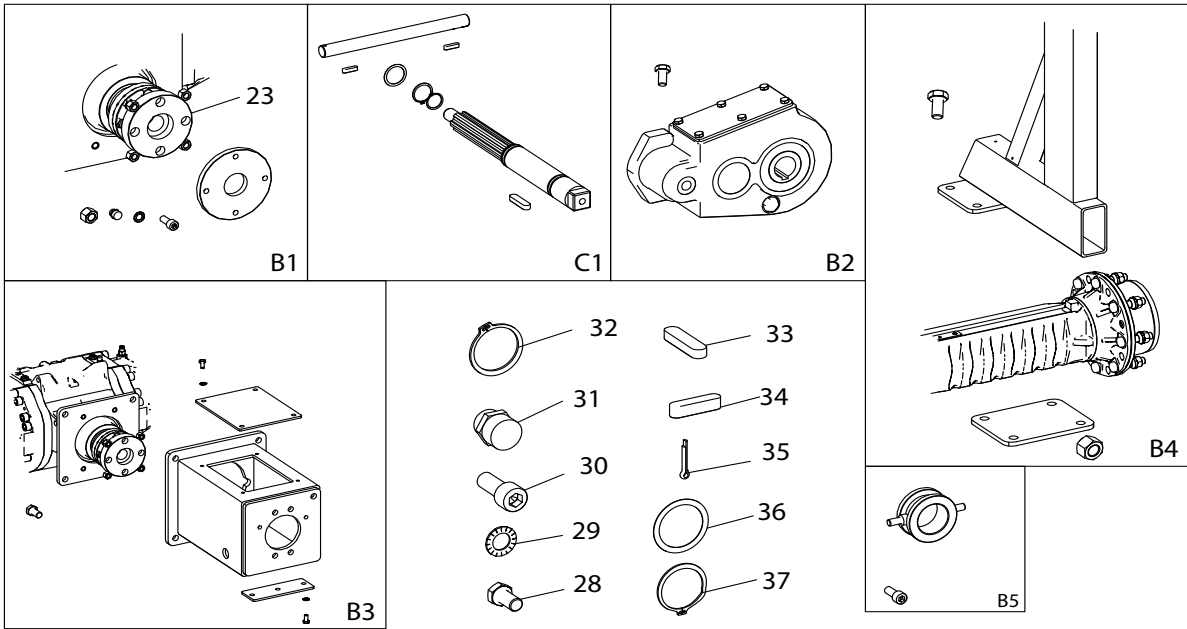


Item no.	Part no.	Qty	Description	Comments
1	1007250	1	Butterfly valve	
2	1007171	1	Motor housing for motor valve	
3	1007175	2	End plug for motor valve	
4	1007180	1	Motor for valve	
5	1007190	1	Gear for electric motor	
6	1007195	1	Gear for valve	
7	1007185	1	Guard for motor valve	
8	022206016	5	M6 x 16 Steel set bolt	B3
9	022208030	4	M8 x 30 Steel set bolt	B2
10	040408	4	M8 Steel nut	B2
11	1001163	1	Manometer glycerine	
12	763764	2	M12 x 50 Int. hex	B1
13	021012040	4	M12 x 40 Steel bolt	
14	040412	4	M12 Steel nut	
15	33000227	1	Outlet pipe for turbine	
16	1009324	1	Flange with bend	
17	33000226	1	Base pipe for turbine	
18	14050043	1	Rubber ring	
19	1009328	1	Flange with HK cup	
20	1007400	1	Dual pump	
21	030506040	6	M6 x 40 Int. hex	B5
22	030506030	6	M6 x 30 Int. hex	B5
23	2.32 x 15.08	3	O-ring	
24	1007420	3	Flange for oil pump	
25	552024	3	Sealing ring 1/2	
26	1007110	1	Flange for pump	
27	1007450	1	Coupling part	
28	1007726	2	Nipple 1/2	
29	030506020	4	M6 x 20 Int. hex	B4
30	056206	4	M6 Spring washer	B4
31	1008605	1	Hydraulic hose 1/2	
32	16050210	1	Soft hose no. per running metre	530 mm
33	1007230	1	Comp Motor valve	

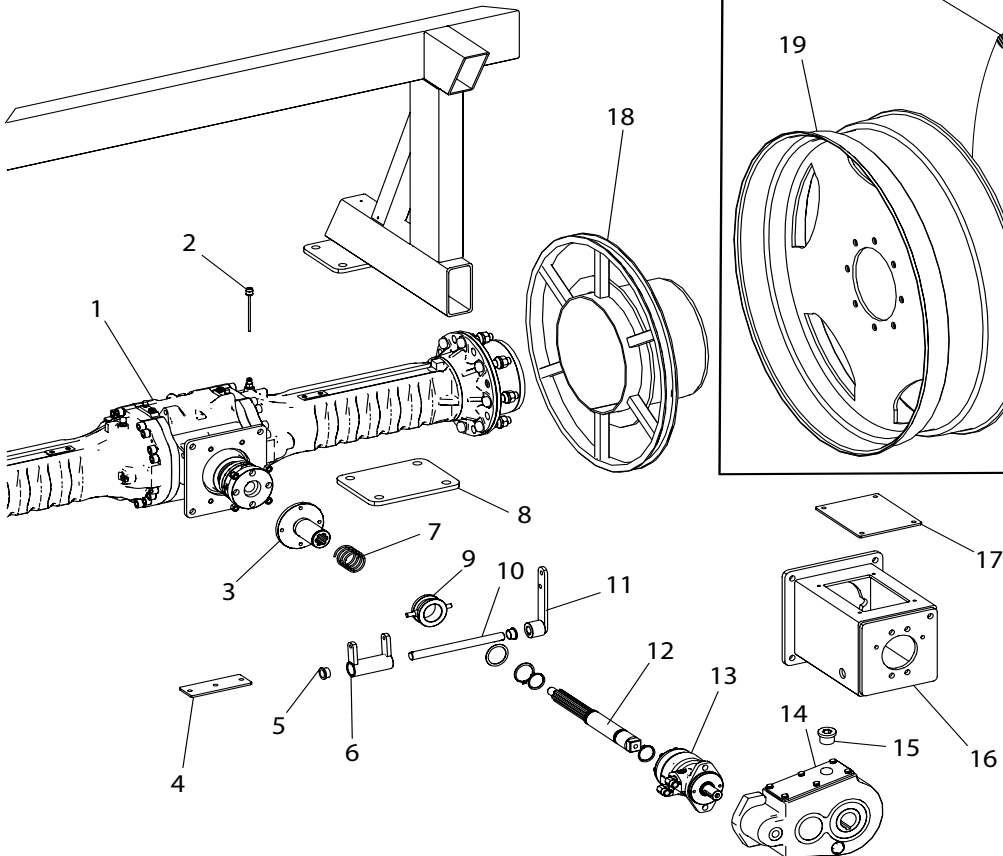
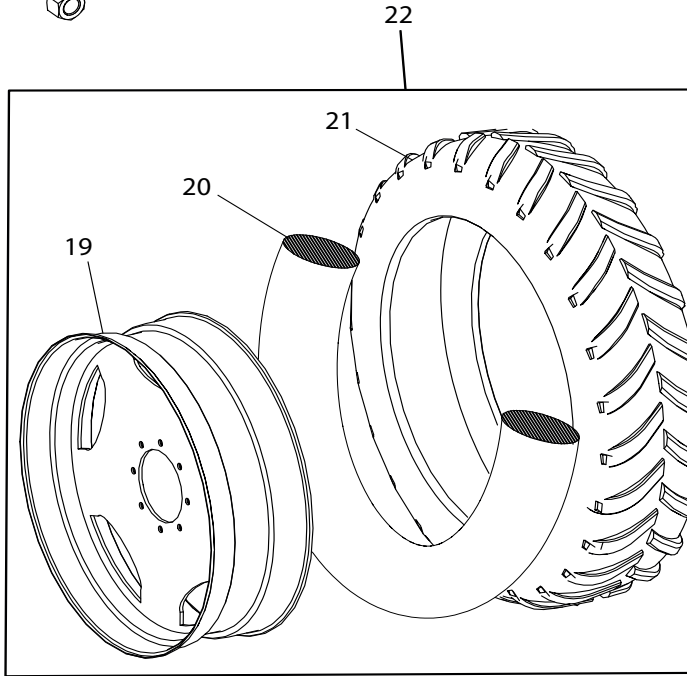


Item no.	Part no.	Qty	Description	Comments
1	631109	2	Flange gasket	
2	522085	1	Flange gasket	
3	631955	1	Flange gasket	
4	1005753	1	Filter	
5	021008045	4	M8 x 45 Steel bolt	B2
6	021010095	4	M10 x 95 Steel bolt	B1
7	022210040	8	M10 x 40 Steel set bolt	B1 & B3
8	040408	12	M8 Steel nut	B2 & B4
9	040410	12	M10 Steel nut	B3 & B1
10	763908	16	M8 Riplock	B2 & B4
11	763910	24	M10 Riplock	B3 & B1
12	1007470	1	Rubber for coupling	
13	1007450	1	Claw coupling Oil motor	
14	1007460	1	Claw coupling Turbine	

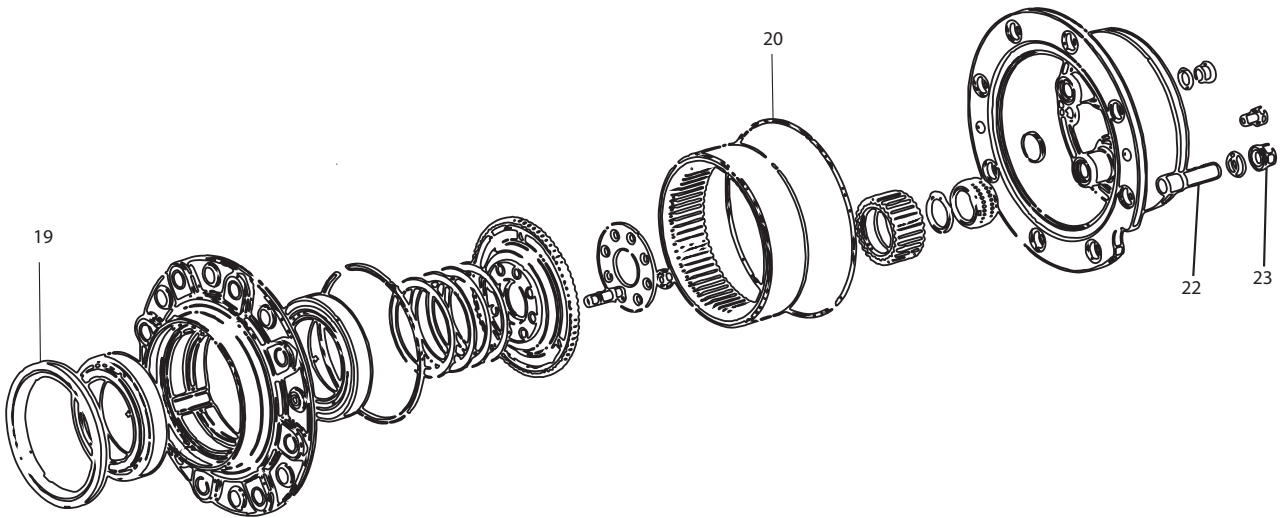
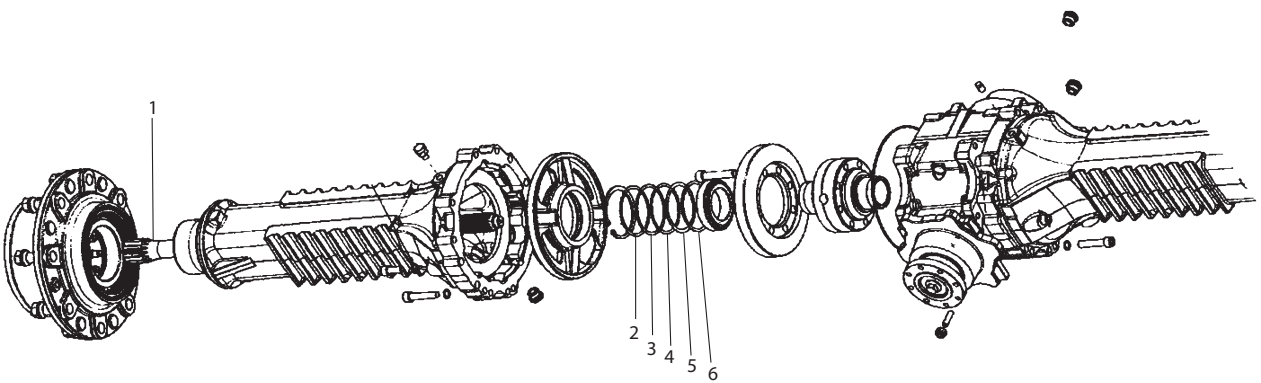
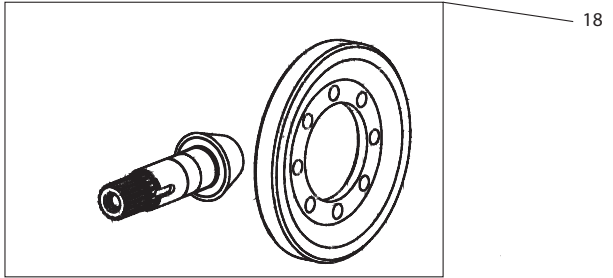
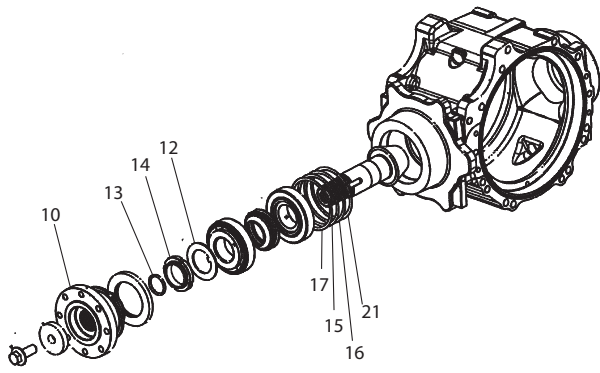
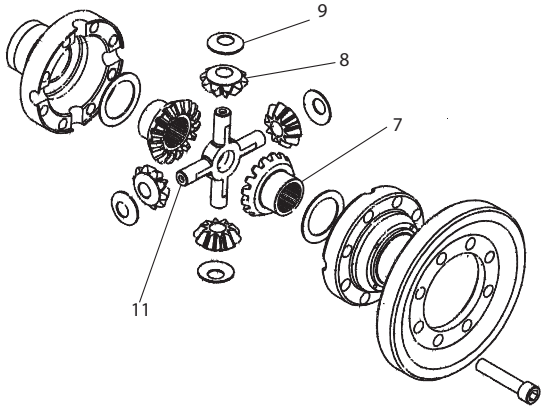




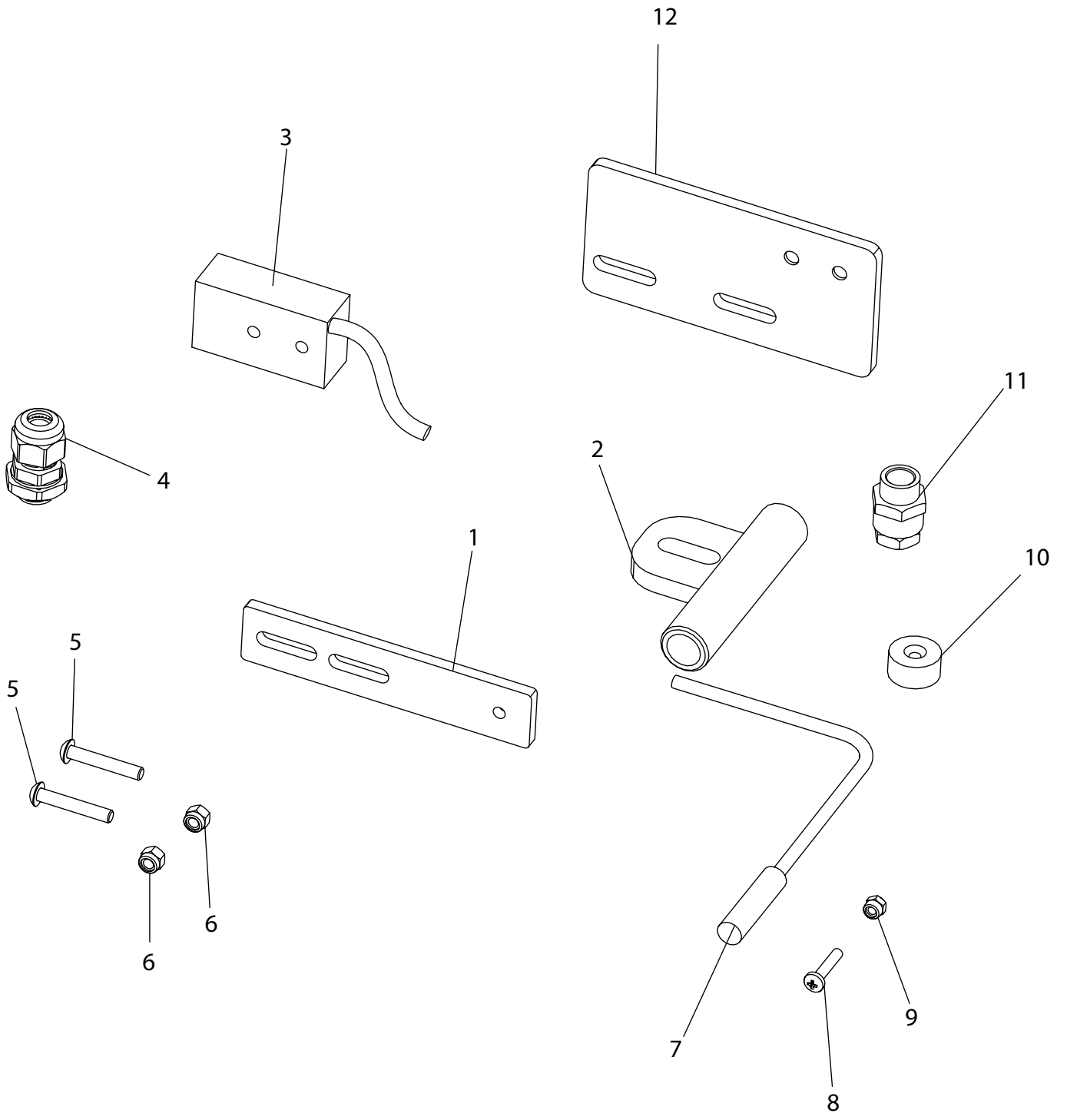
- 32
- 31
- 30
- 29
- 28
- 27
- 26
- 25
- 24
- 33
- 34
- 35
- 36
- 37
- 38
- 39



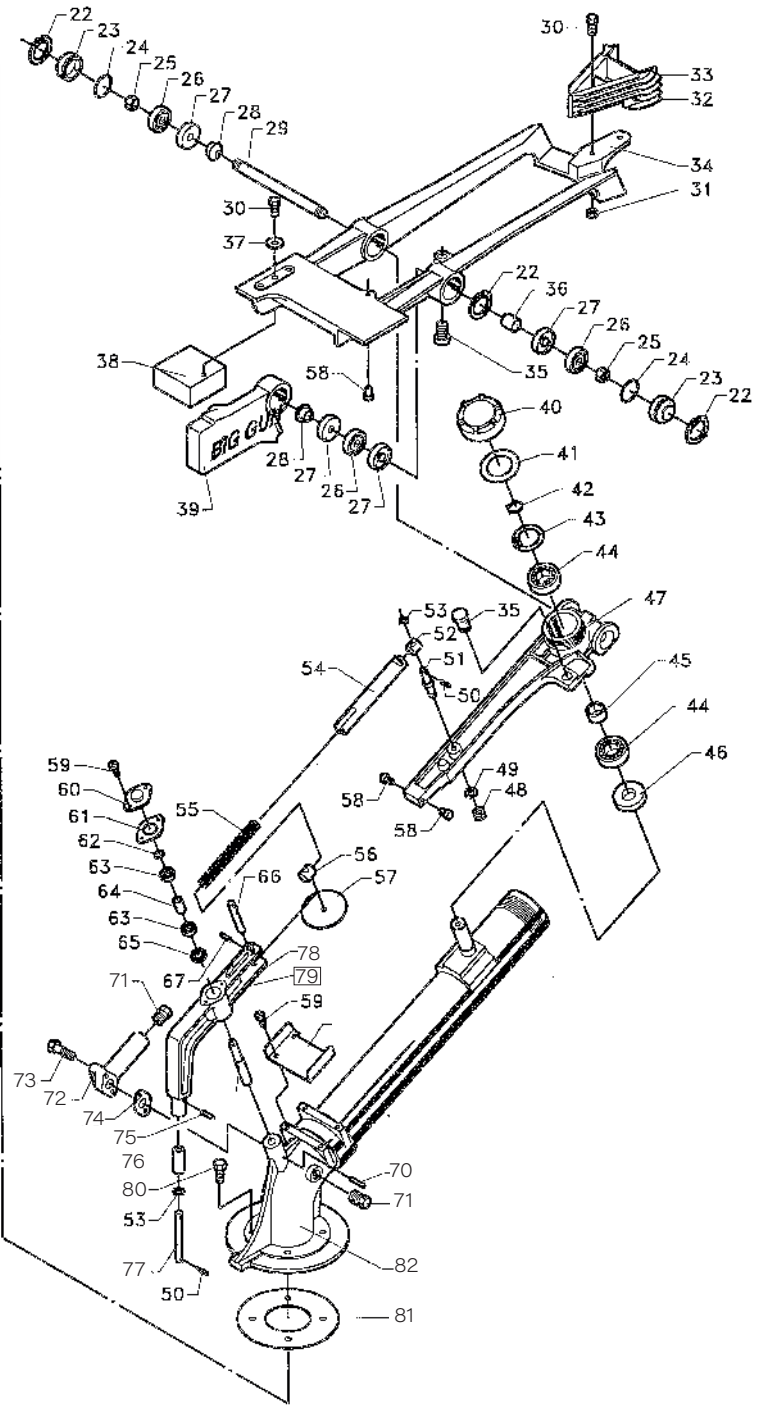
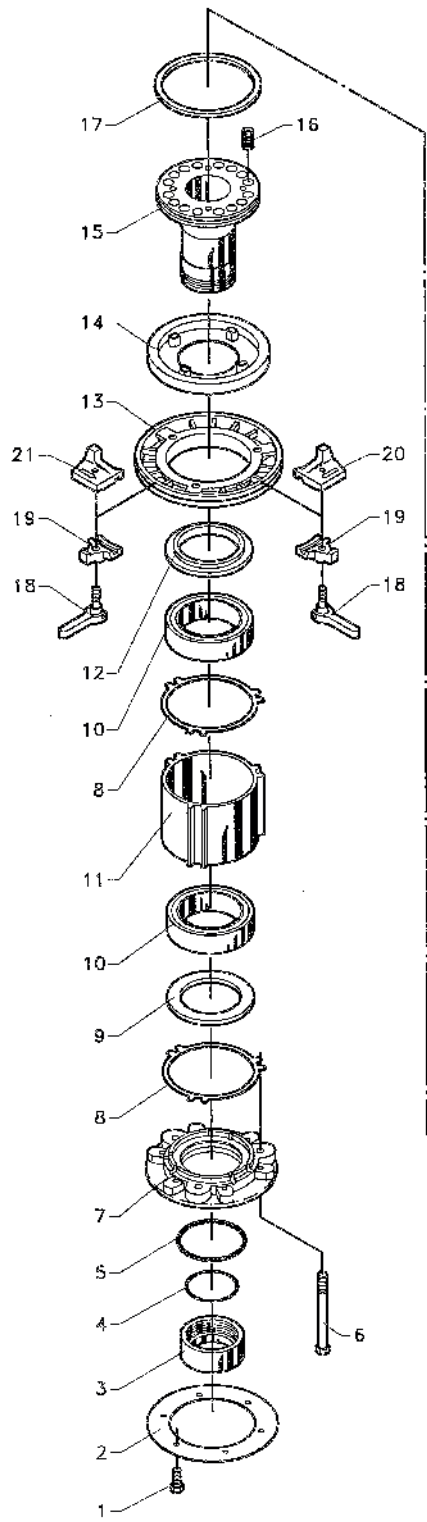
Item no.	Part no.	Qty	Description	Comments
1	1009490	1	Rear axle assembly	
2	1009482	1	Dipstick	
3	1009220	1	Coupling hub	
4	1009207	1	Base cover	
5	1009203	2	Bushing	
6	1009240	1	Shift fork	
7	1009227	1	Compression spring	
8	2003554-1	2	Bracket for rear axle assembly	
9	1009225	1	Shift sleeve	
10	1009235	1	Shaft	
11	1009245	1	Shift arm	
12	1009230	1	Shaft for coupling	
13	1007440	1	Oil motor	
14	1009500	1	Flat gear	
15	1007728-5	1	Plug for flat gear	
16	2002057	1	Coupling housing	
17	1009205	1	Cover	
18	2002957	2	Pulley	
19	1007787	2	Rim	
20	1008715	2	Hose	
21	1008710	2	Rear tyre	
22	1007786	1	Comp Wheel	
23	1009215	1	Hub for magnet	
24	763765	2	M10 x 20 Unbraco	B5
25	044016	8	M16 Lock nut	B4
26	021016180	8	M16 x 180 Steel bolt	B4
27	763910	4	M10 Riplock	B1
28	022208016	12	M8 x 16 Steel set bolt	B3 & B2
29	763908	6	M8 Riplock	B3
30	763770	4	M10 x 22 Unbraco	B1
31	1007571	4	Magnet	B1
32	700040	2	Retaining ring	C1
33	641625	2	Spring	C1
34	641850	1	Spring	C1
35	761010	1	Split pin	
36	1009222	1	Shim ring	C1
37	700048	1	Retaining ring	C1
38	022216030	4	M16 x 30 Steel set bolt	B3
39	044010	4	M10 Lock nut	B1



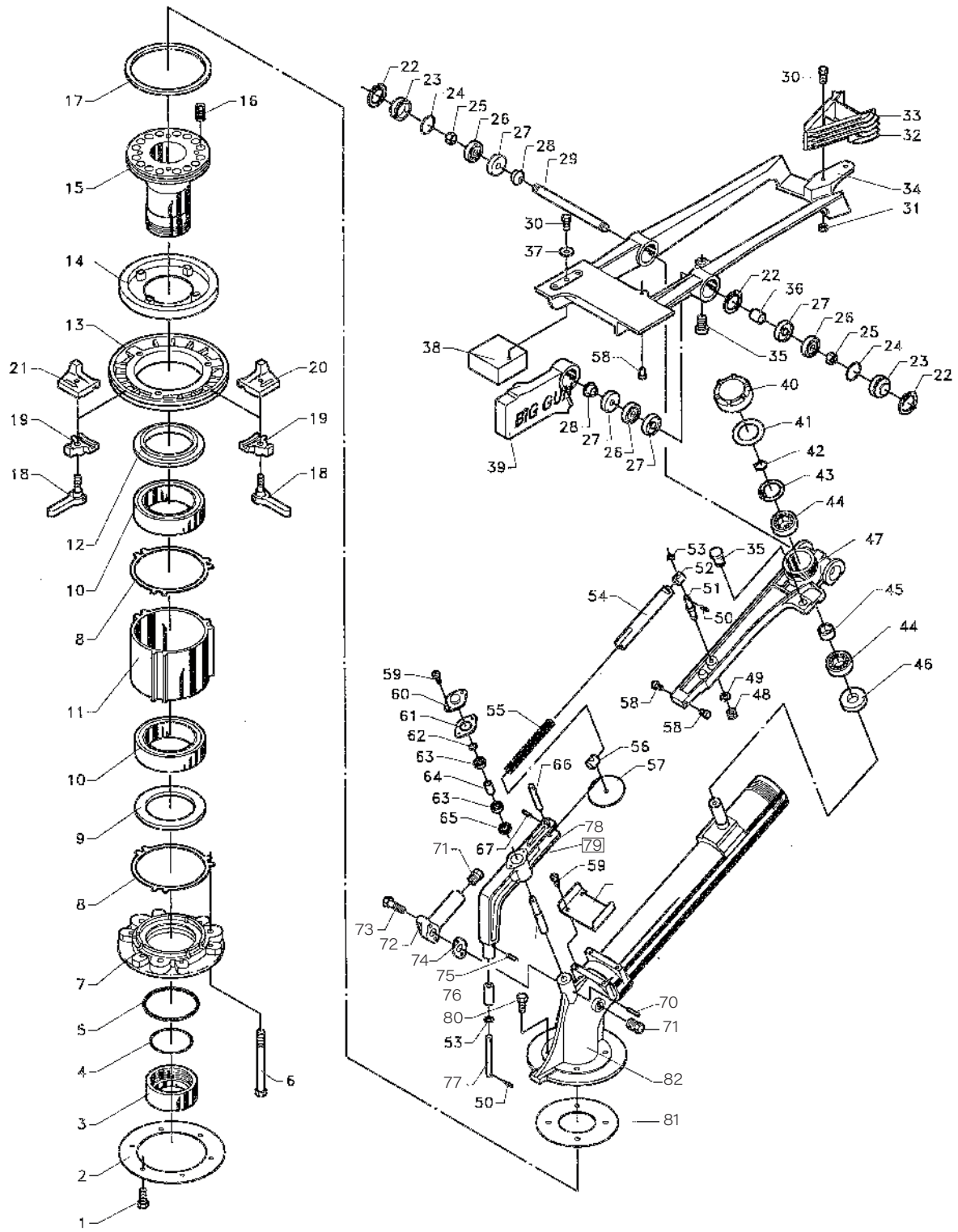
Item no.	Part no.	Qty	Description	Comments
1	1009532	2	Shaft FM4400	
2	1009533	2	Shims 0.3mm Ø94 Ext.	
3	1009534	2	Shims 0.5mm Ø89.5 Ext.	
4	1009535	2	Shims 0.35mm Ø95 Ext.	
5	1009536	2	Shims 0.2mm Ø94 Ext.	
6	1009537	2	Shims 1mm Ø94.5 Ext.	
7	1009539	2	Crown wheel differential	
8	1009540	4	Pinion differential	
9	1009541	4	Shim pinion diff.	
10	1009542	1	PTO flange for rear axle assembly	
11	1009543	1	Cross shaft diff.	
12	1009545	1	Lock washer	
13	1009546	1	O-ring	
14	1009547	1	Lock nut	
15	1009548	1	Shims 0.3 mm	
16	1009549	1	Shims 0.4mm Ø89 Ext.	
17	1009550	1	Shims 0.35mm Ø89.5 Ext.	
18	1009552	1	Crown wheel/Pinion	
19	1009553	1	Rear axle packing block	
20	1009554	1	O-ring for final drive	
21	1009616	1	Shims Ø79.7 Ext.	
22	1009455	18	M18 Bolt	
23	1009456	18	M18 Nut	



Item no.	Part no.	Qty	Description	Comments
1	1009347	1	Bracket for sensor magnet	
2	1008265	1	Pipe for end stop sensor	
3	1007561	1	Dual sensor	
4	1005535-1	1	Cable coupling Rear axle assembly	
5	763782	2	M5 x 30 Int. hex	
6	044005	1	M5 Lock nut	
7	1007560	1	Sensor	
8	034604020	1	M4 x 20 Machine screw	
9	044004	1	M4 Lock nut	
10	1005530	1	Magnet	
11	1005535	1	Cable coupling Sensor	
12	1009255	1	Bracket for coupling housing sensor	

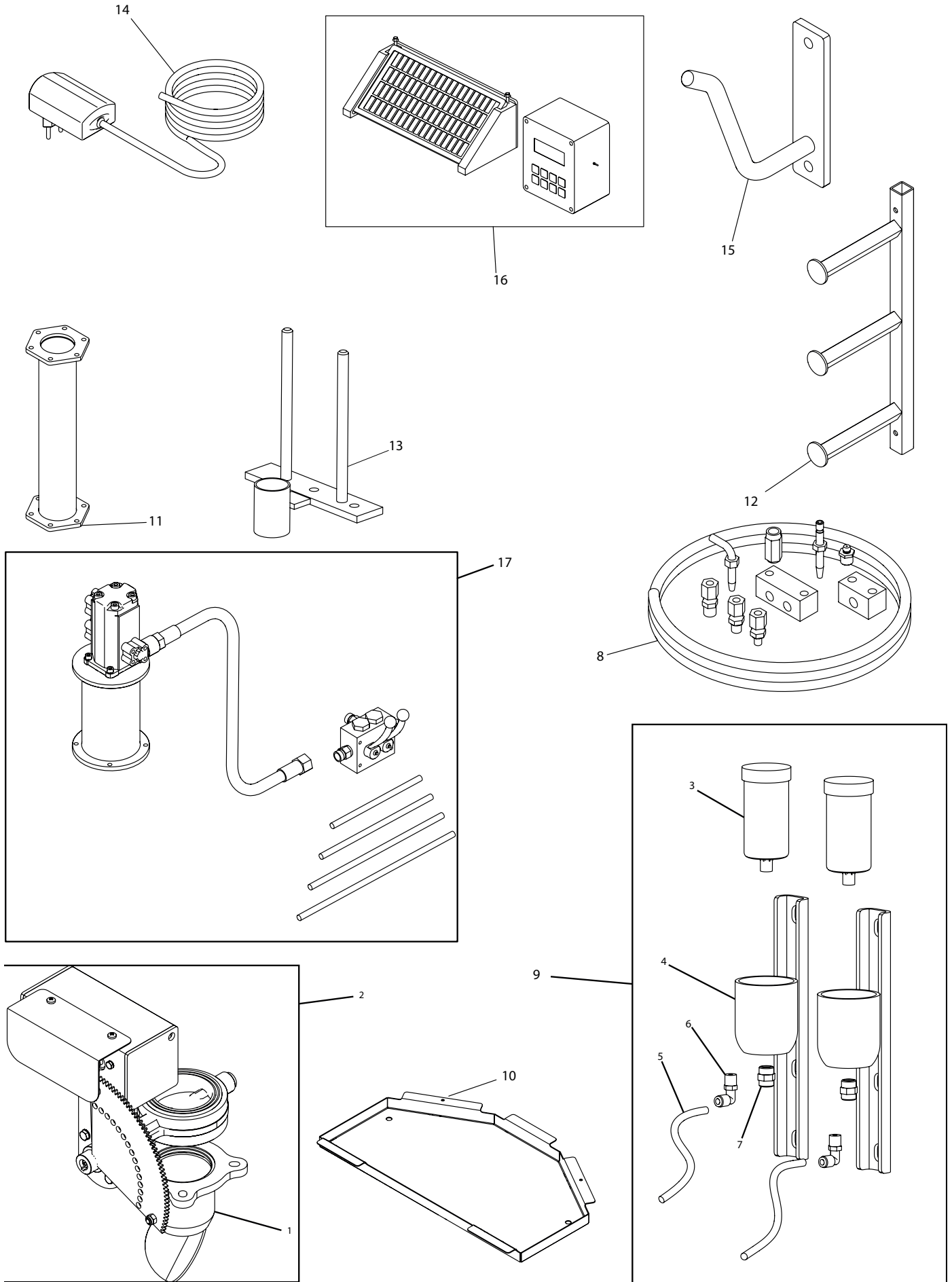


Item no.	Part no.	Qty	Description	Comments
1	776849	1	Bolt	
2	761614	1	Flange gasket for gun	
3	778402	1	Lock nut	
4	776548	1	O-ring	
5	778475	1	O-ring	
6	778462	3	Bolt	
7	778401	1	Base piece	
8	778461	2	Gasket	
9	778373	1	Sealing ring	
10	776253	2	Ball bearing	
11	778405	1	Bearing housing	
12	778372	1	Sealing ring	
13	778400	1	Brake disc	
14	778371	1	Brake lining	
15	778459	1	Bearing pipe	
16	778474	12	Spring	
17	778473	1	Sealing ring	
18	776849	2	Bolt	
19	776371	2	Bracket	
20	778432	1	Wheel chock Left	
21	778431	1	Wheel chock Right	
22	776565	3	Retaining ring	
23	776602	2	End cover	
24	776563	2	O-ring	
25	776603	2	Nut	
26	776598	3	Ball bearing	
27	776600	4	Sealing ring	
28	776607	2	Spacer pipe	
29	778465	1	Shaft	
30	776818	2	Bolt	
31	776060	2	Nut	
32	778354	1	Drive blade	
33	779229	1	Drive blade Topspeed	
34	778364	1	Drive arm	
35	778139	2	Rubber stop	
36	778327	1	Spacer pipe	
37	776070	1	Flat washer	
38	778433	1	Weight block	
39	778366	1	Counterweight	
40	778233	1	Cover	
41	778272	1	Gasket	



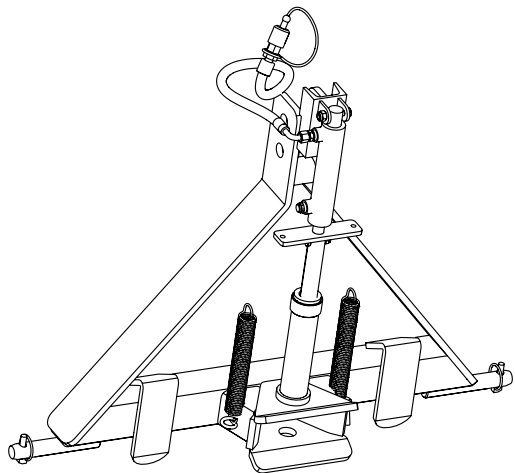
Item no.	Part no.	Qty	Description	Comments
42	778323-017	1	Retaining ring	
43	776045	1	Retaining ring	
44	776054	2	Ball bearing	
45	778326	1	Spacer pipe	
46	776048	1	Oil seal ring	
47	778394	1	Switch lever	
48	776064	1	Nut	
49	777029	1	Washer	
50	776714	2	Split pin	
51	778197	1	Bolt	
52	778282	1	Shaft	
53	778409	2	Flat washer	
54	778446	1	Pipe	
55	778470	1	Spring	
56	778417	1	Shaft	
57	778336	1	Washer	
58	776580	3	Stop pin	
59	778311	2	Screw	
60	778263	1	Cover	
61	778265	1	Gasket	
62	778323-004	1	Retaining ring	
63	778321	2	Bearing	
64	778281	1	Spacer pipe	
65	778317	1	Seal	
66	778193	1	Pin	
67	778320	1	Split pin	
68	778448	1	Plate	
69	778274	1	Shaft	
70	776931	1	Locking pin	
71	776089	2	Plug	
72	778497	1	Nozzle pipe	
73	776059	2	Bolt	
74	778511	1	Gasket	
75	778322	1	Split pin	
76	778277	1	Roller	
77	778276	1	Shaft	
78	778410	1	Arm trip lever	
79	778451	1	Complete switch	
80	778408	4	Bolt	
81	778460	1	Gasket	
82	778587	1	Jet pipe	

Optional equipment

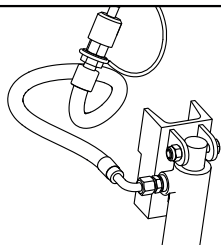
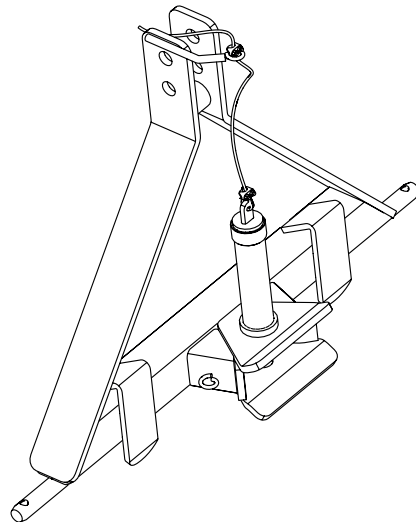


Item no.	Part no.	Qty	Description	Comments
1	2010507	1	Stop for negative pressure	
2	2010508	1	Over/negative pressure set	
3	7550LAGD125/WA2	2	Grease cup system	
4	1008490-1	2	Brace for support pipe carriage	
5	1013860	2	Air hose	
6	591197	2	Swivel angle	
7	1916650202B	2	Sleeve	
8	2010525	1	Central lubrication main bearings	
9	2010534	1	Central lubrication for hose guide	
10	2001754	1	Base plate for tool box	
11	762006	1	Extension pipe for gun	
12	1010530	1	Ladder	
13	2002928	1	Holder for nozzle and nozzle key	
14	1005522	1	Charging unit for 12 V	
15	762077	1	Suspension hook for charge hose	
16	2010530	1	Teleregn/GSM module	
17	2010634	1	Dual pump set	

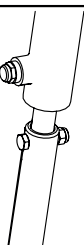
1



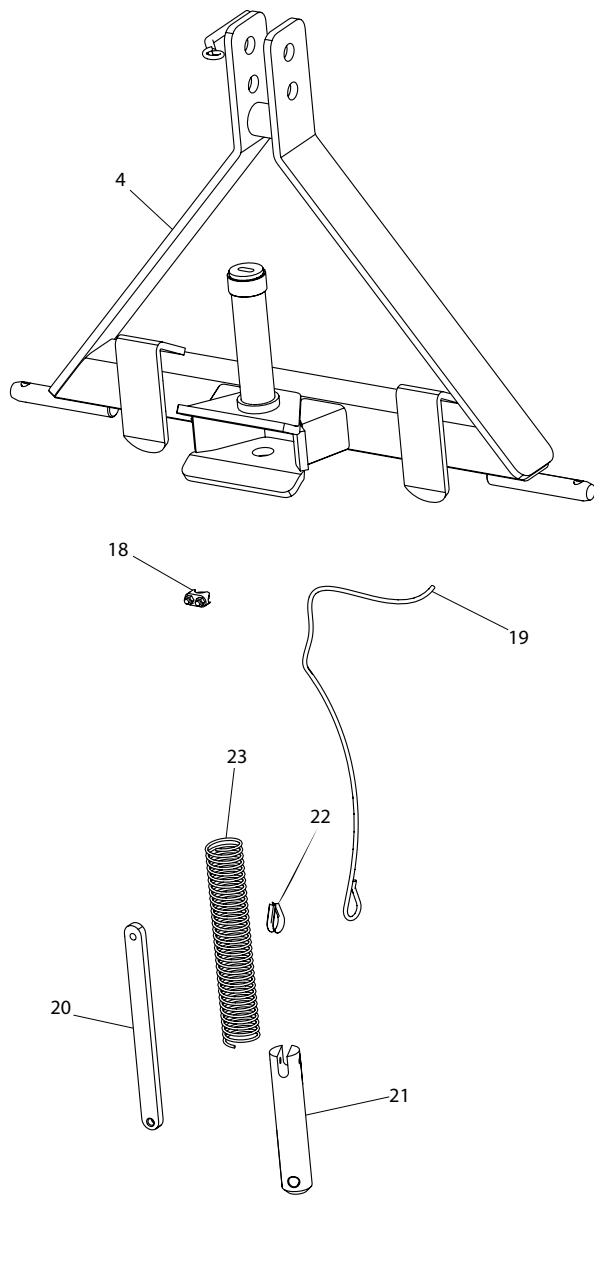
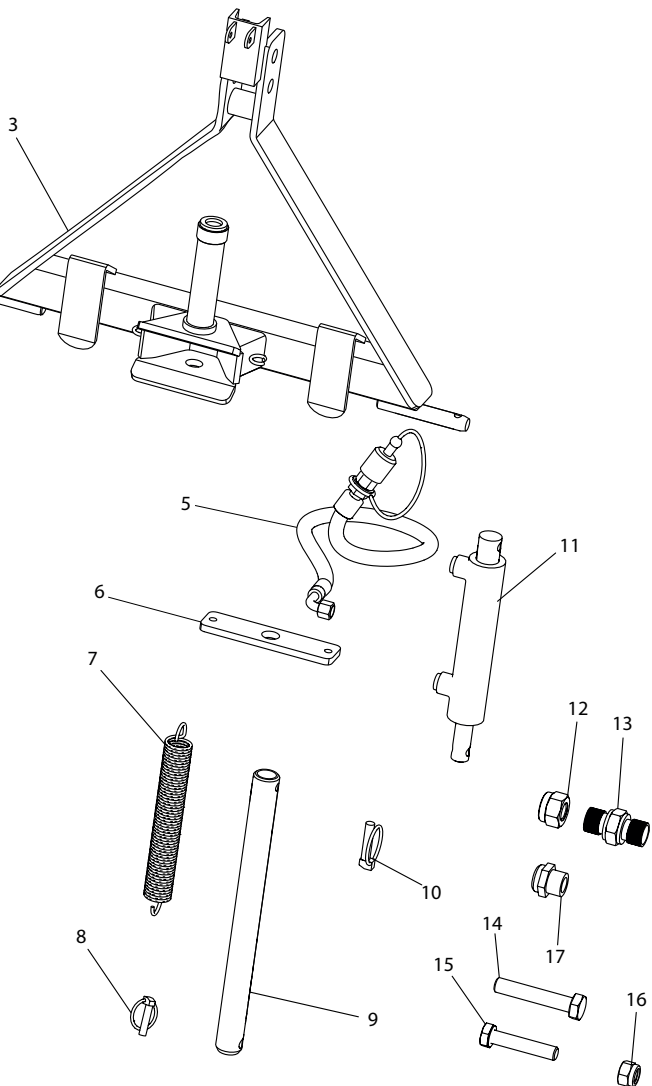
2



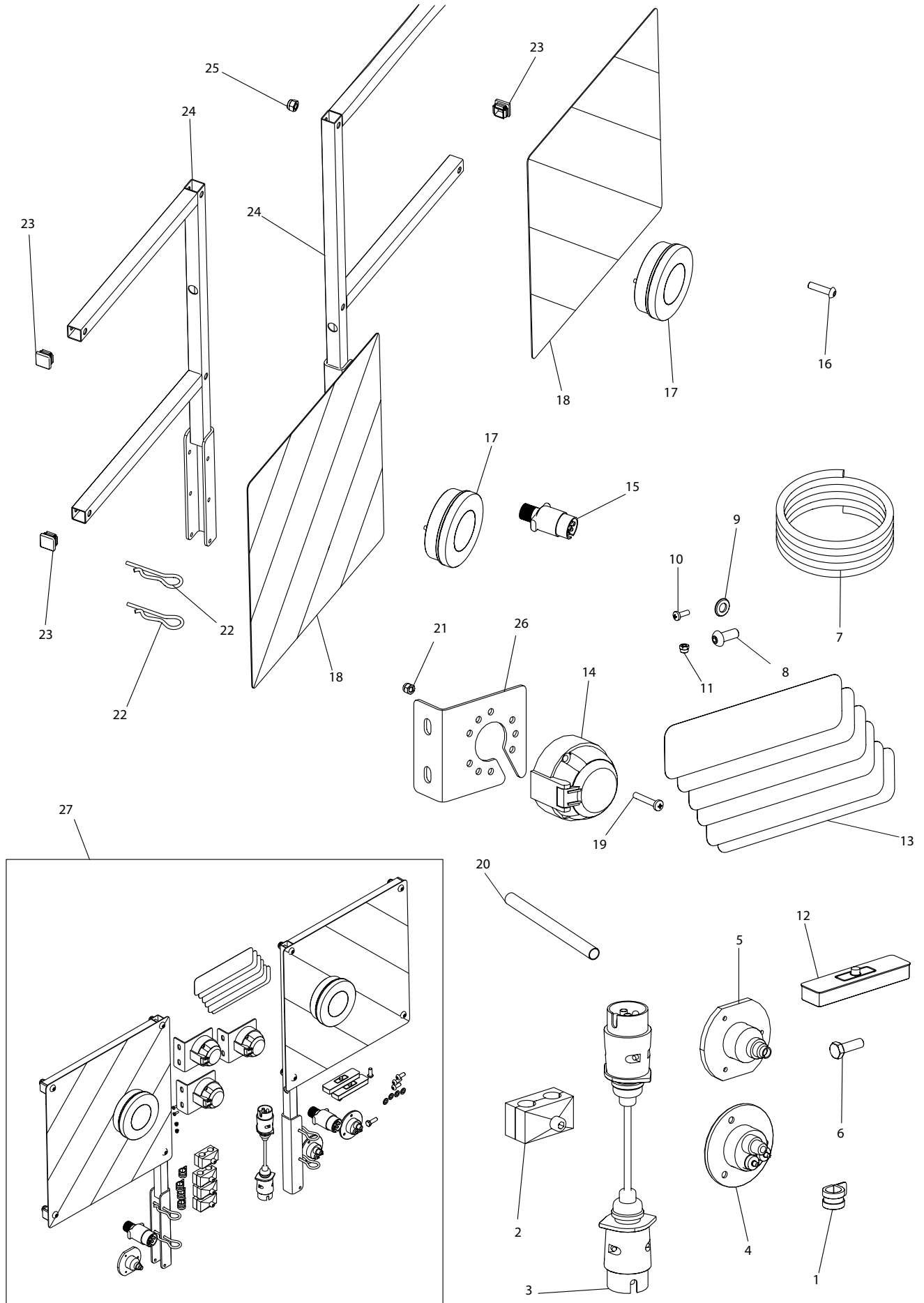
B2



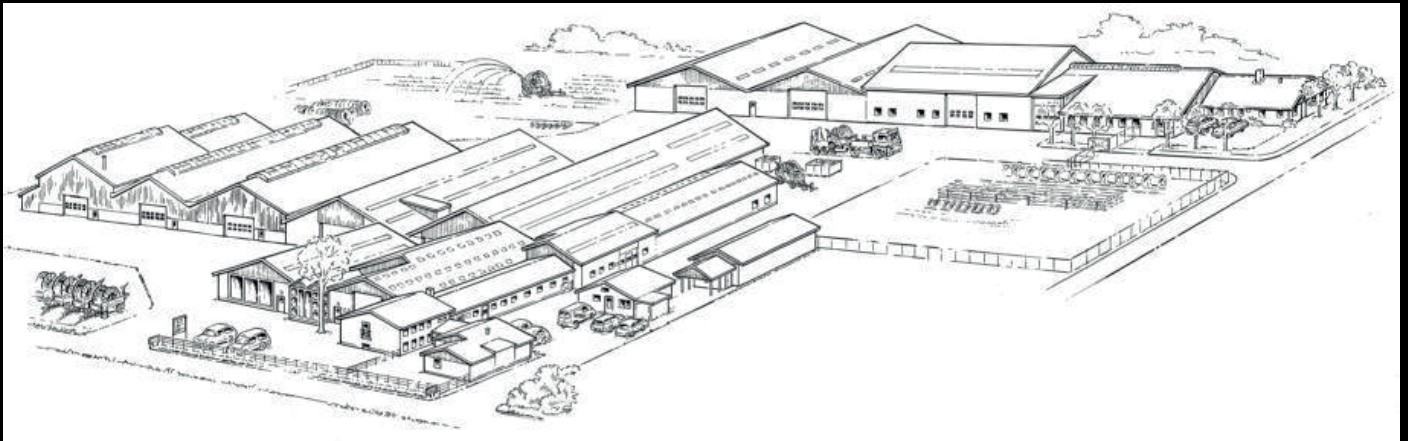
B1



Item no.	Part no.	Qty	Description	Comments
1	1008280-1	1	A-frame Hydraulics	
2	1008280	1	A-frame Cable	
3	1008281-2	1	A-frame for hydraulics	
4	1008281	1	A-frame	
5	1008288	1	Hydraulic hose	
6	1008285	1	Hole plate for hydraulics	
7	761274	2	Spring	
8	1302100800	1	Securing pin 8x45	
9	1008283	1	Drawbar pin A-frame hydraulics	
10	1302101000	5	Securing pin 10x45	
11	1008287	1	Cylinder for A-frame	
12	044010	1	M10 Lock nut	B2
13	121001BP04	1	Nipple	
14	021010055	1	M10x55 Steel bolt 8.8	B2
15	021008040	1	M8x40 Steel bolt 8.8	B1
16	044008	1	M8 Lock nut	B1
17	591575	1	Filter plug, Silencer	
18	1562220206	3	Cable lock	
19	1008292	1	Cable with nylon for A-frame	
20	1008284	1	Arm for Drawbar pin	
21	1008282	1	Drawbar pin for A-frame	
22	761012-1	1	Cable thimble	
23	1008290	1	Compression spring for A-frame	



Item no.	Part no.	Qty	Description	Comments
1	1150700018	4	ABA Rubber clamp	
2	1007514	4	Hose carrier	
3	S1120	1	5.5 m cable incl. male connector	
4	1008961	2	Rubber backing for socket	
5	1008962	1	Rubber backing for socket	
6	022208025	2	M8x25 Set bolt	
7	1013505	11.25 m	Plastic cable	
8	095008020	4	M8x20 Round head int. hex	
9	050208	4	M8 Plain washer	
10	034404012	4	M4x12 Machine screw	
11	044004	4	M4 Lock nut	
12	1013502	2	Item Light LED	
13	1415003005	6	Reflector	
14	1008960	3	Female connector for electric brake	
15	1008965	2	Male connector for electric brake	
16	095010040	8	M10x40 Int. hex Round head	
17	1013510	2	Rear light LED	
18	1013503	4	Warning sign	
19	034405030	9	M5x30 Machine screw	
20	026150223	2.3m	Pipe for cable routing	
21	044005	9	M5 Lock nut	
22	1303100050	4	Retaining pin	
23	684125	4	25 mm Pipe end cap	
24	2004100	2	Holder for side markers	
25	044008	2	M8 Lock nut	
26	1013873	3	Suspension bracket	
27	2010610	1	Light set	



FASTERHOLT

**A/S FASTERHOLT MASKINFABRIK
EJSTRUPVEJ 22, DK-7330 BRANDE
DENMARK**

TEL.: +45 97 18 80 66 FAX: +45 97 18 80 40

E-MAIL: MAIL@FASTERHOLT.DK

www.fasterholt.dk